



## ULO1855-A 18.5" TFT LCD, 1000 nits LED Backlight, 1920x1080

The ULO1855-A is a 18.5 inch industrial grade sunlight readable LCD, with high brightness 1000 nits, it produce sharp images, crisp text and lifelike colors. The Ubipixel LED backlight technology ensures high reliability and low power consumption, suitable for outdoor application, kiosk, factory automation, military, transportation and gaming application.

### Key Features

- High Brightness 1000 nits
- Sunlight Readable
- LED Backlight
- Wide Temperature (-20 °C ~70 °C)
- Low Power Consumption
- BL MTBF: 100,000 hours



### Specifications

<b>Model Name</b>	<b>ULO1855-A</b>
<b>Description</b>	18.5" TFT LCD, 1000 nits LED Backlight, 1920x1080
<b>Screen Size</b>	18.5"
<b>Display Area (mm)</b>	408.960(H) x 230.040(V)
<b>Brightness</b>	1000 cd/m <sup>2</sup>
<b>Resolution</b>	1920x1080
<b>Aspect Ratio</b>	16 : 9
<b>Contrast Ratio</b>	1300 : 1
<b>Pixel Pitch (mm)</b>	0.213(H) x 0.213(V)
<b>Pixel Per Inch (PPI)</b>	119
<b>Viewing Angle</b>	178°(H),178°(V)
<b>Color Saturation (NTSC)</b>	84%
<b>Display Colors</b>	16.7M
<b>Response Time (Typical)</b>	20ms
<b>Panel Interface</b>	LVDS
<b>Input Interface</b>	VGA, DVI-D, HDMI
<b>Input Power</b>	DC12V
<b>Power Consumption</b>	26.4W
<b>OSD Key</b>	4 Keys (Power Switch, Menu, +, -)
<b>OSD Control</b>	Brightness, Color, Contrast, Auto Turing, H/V Position...etc
<b>Dimensions (mm)</b>	433 x 257.2 x 47.1 mm
<b>Bezel Size(U/B/L/R)</b>	13.6/13.6/12/12 mm
<b>Mounting</b>	75 x 75 mm , 100 x 100 mm
<b>Weight (Net)</b>	2.8Kg
<b>Operating Temperature</b>	-20 °C ~ 70 °C
<b>Storage Temperature</b>	-20 °C ~ 70 °C

ULO= Panel + LED Driving Board + AD Control Board + Housing

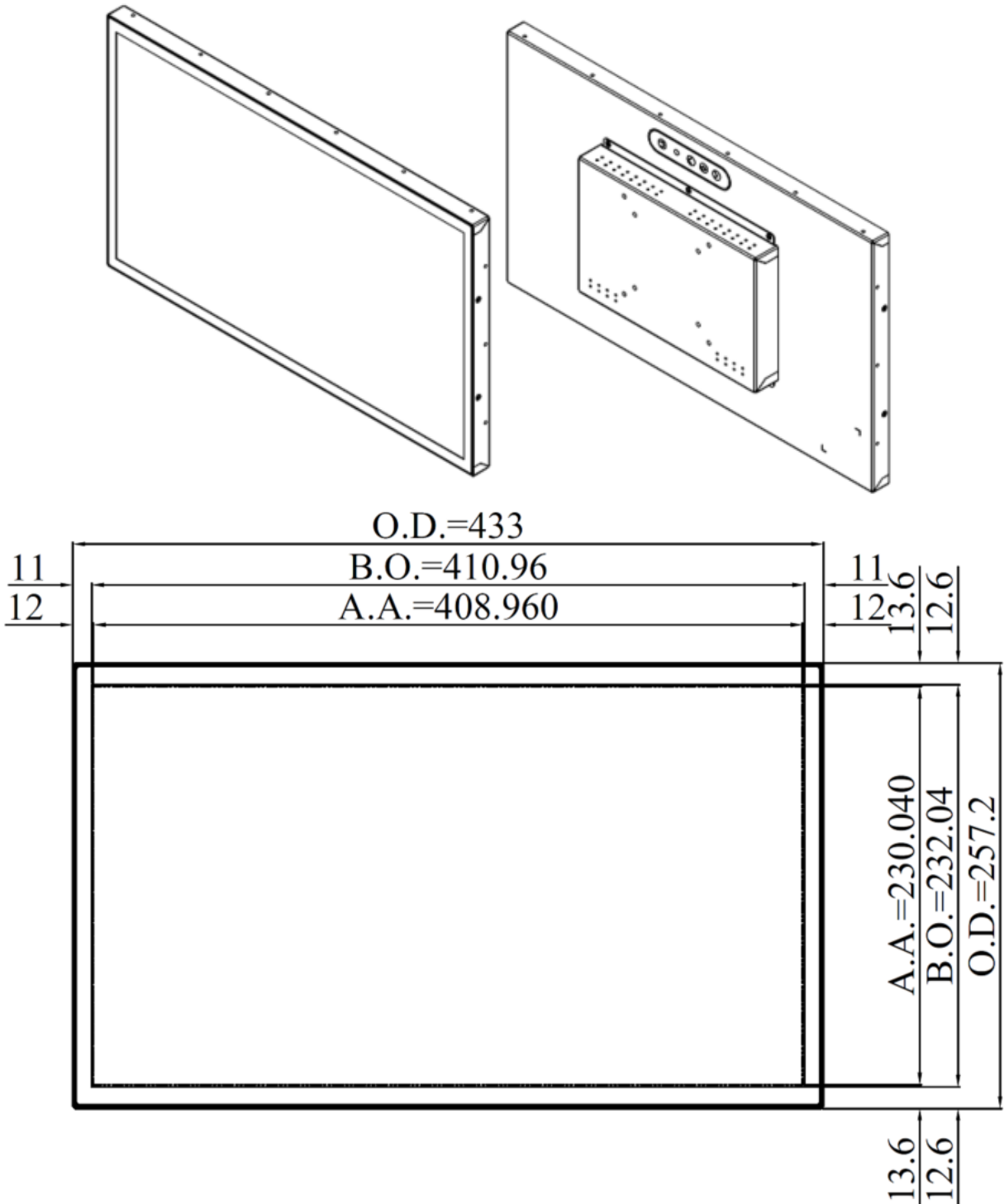
Specifications are subject to change without notice.  
All brands or product names are trademarks or registered trademarks of their respective companies.

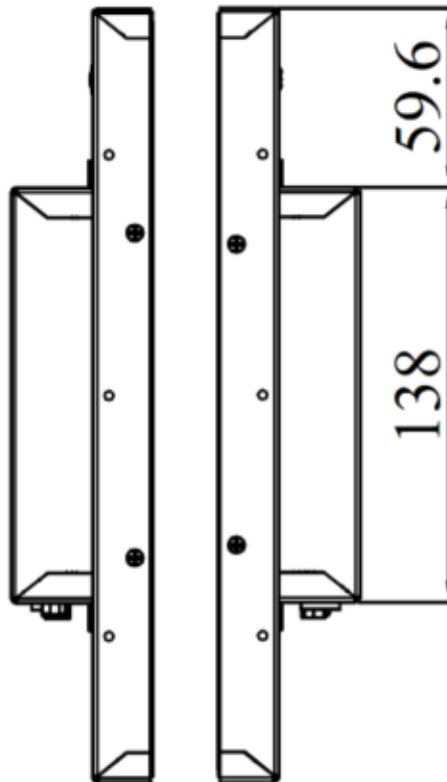
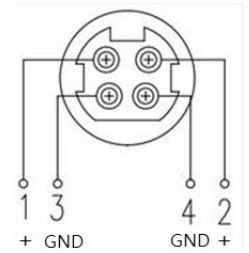
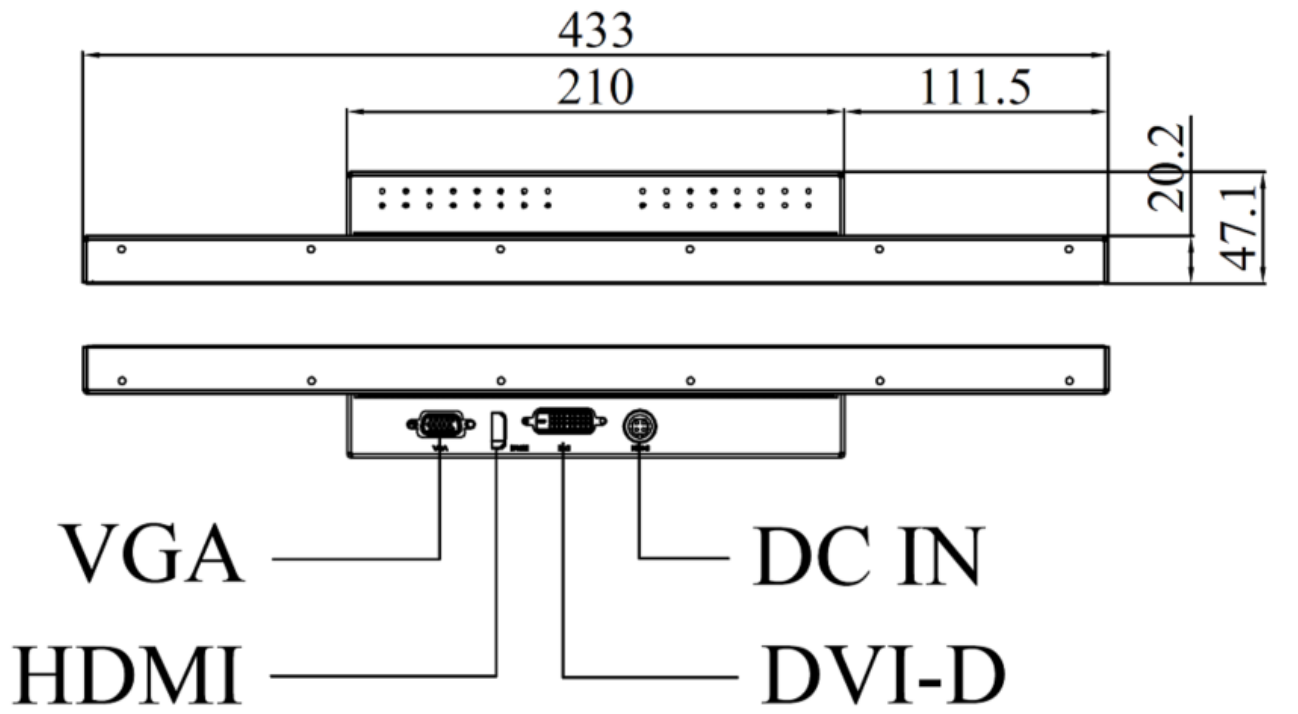


## Mechanical Drawing

### Outline Dimensions

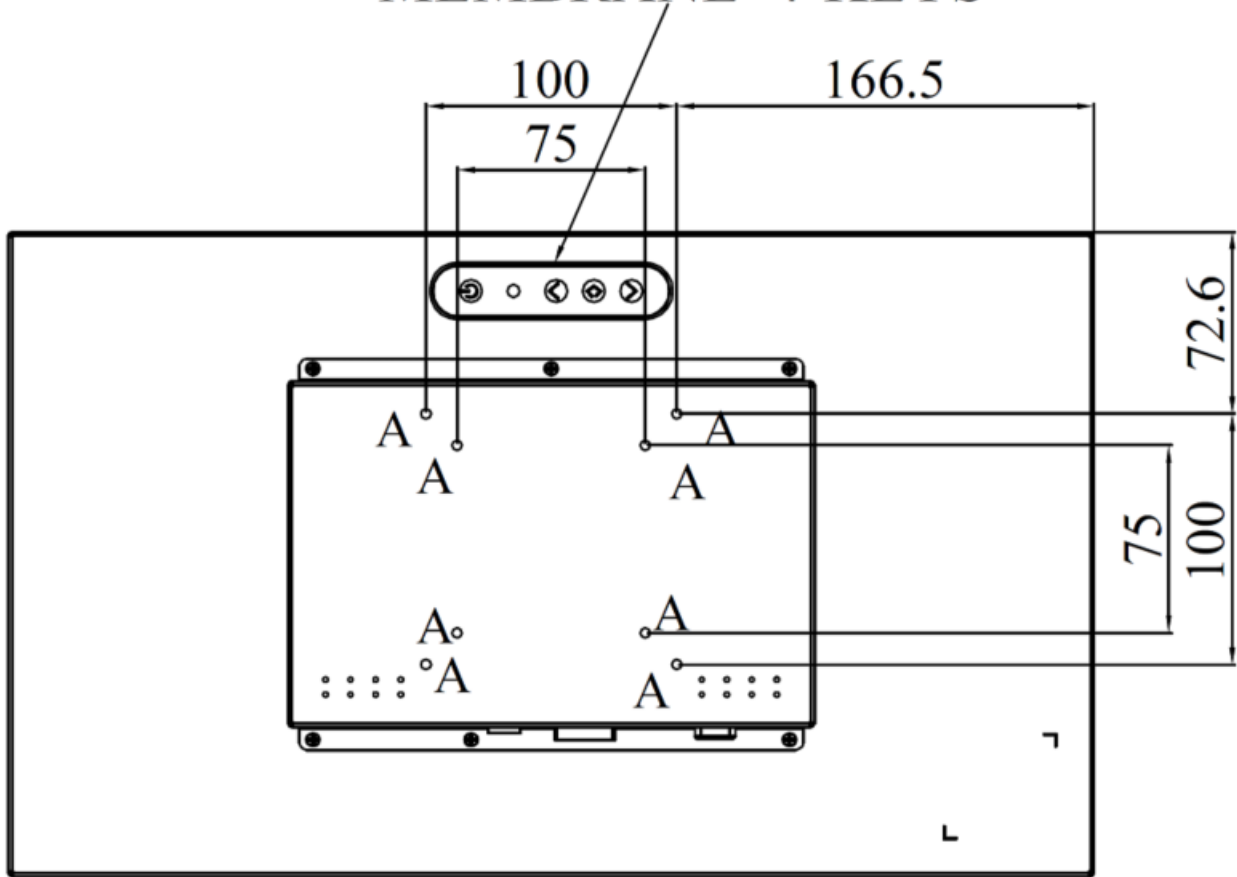
Unit: mm







## MEMBRANE 4-KEYS



### NOTE :

O.D. : OUTLINE DIMENSION

B.O. : BEZEL OPENING

A.A. : ACTIVE AREA

A : 4-M4\_USER HOLE\_MAX Depth=4mm

### Ordering Information

Part Number	Description
ULO1855-AHB-Q11	18.5",1000nits,1920x1080,T2070,LID18C,AD8891GDH,O/B,DC12V,5in1,V1

### Optional Accessories

Part Number	Description
941238611001	MSF,ULO,2386,PANEL BRACKET*2,SCREW*6
810618301010	CABLE,POWER,AC,1830mm USA type
810618301090	CABLE,POWER,AC,1830mm Europe type
810618301050	CABLE,POWER,AC,1830mm UK type
810618301170	CABLE,POWER,AC,1830mm Australia type
810618301031	CABLE,POWER,AC,1830mm Japan type

### Customer request

Touch	SCT (Single-Touch), PCT (Multi-Touch)
Glass	Tempered glass, AR coating.....