



SSD2940-Y 29.4" TFT LCD, 2000 nits LED backlight, 1920 x 720

The SSD2945-A is a 29.4 inch color TFT-LCD display with high brightness 2000 nits and high color saturation. It produces sharp images, crisp text and lifelike colors. The Spanpixel LED backlight technology ensures high reliability and low power consumption, suitable for outdoor application, kiosk, factory automation, military, transportation and gaming application.

Key Features

- 29.4" TFT LCD
- Ultra-Wide Screen (16 : 6)
- High Brightness 2000 nits
- LED Backlight
- Wide viewing angle 178°(H)~ 178°(V)
- LCD Blacking Defect Free (Hi-Tni 110°C)
- Low Power Consumption
- BL MTBF: 100,000 hours



Specifications

Model Name	SSD2945-Y
Description	29.4" TFT LCD, 2000 nits LED backlight, 1920x720
Screen Size	29.4"
Display Area (mm)	698.4(H) x 261.9(V)
Brightness (Typical)	2000 cd/m ²
Resolution	1920x720
Aspect Ratio	16 : 6
Contrast Ratio (Typical)	5900 : 1
Pixel Pitch (mm)	0.3637(H) x 0.3637(V)
Pixel Per Inch (PPI)	70
Viewing Angle	178°(H), 178°(V)
Color Saturation (NTSC)	83%
Display Colors	16.7M
Response Time (Typical)	8ms
Panel Interface	LVDS
Video Interface	HDMI, DP
Input Power	DC12V
Power Consumption	68.16W
OSD Key	4 Keys (Power Switch, Menu, +, -)
OSD Control	Brightness, Color, Contrast, Auto Turing, H/V Position...etc
Dimensions (mm)	738 x 305.2 x 58.9
Bezel Size(U/B/L/R)	19.3/24/19.8/19.8
Mounting (mm)	75x75, 400x75
Weight (Net)	7.5kg
Operating Temperature	-20 °C ~ 60 °C
Storage Temperature	-20 °C ~ 60 °C

SSD= Panel + LED Driving Board + AD Control Board + Chassis

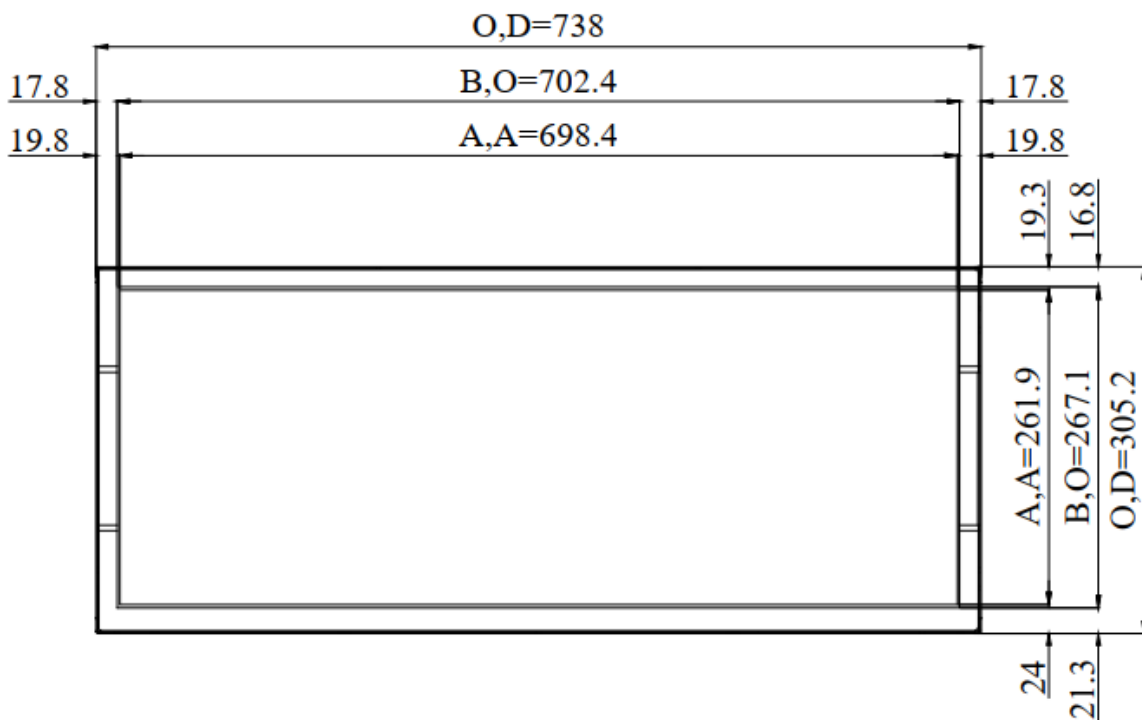
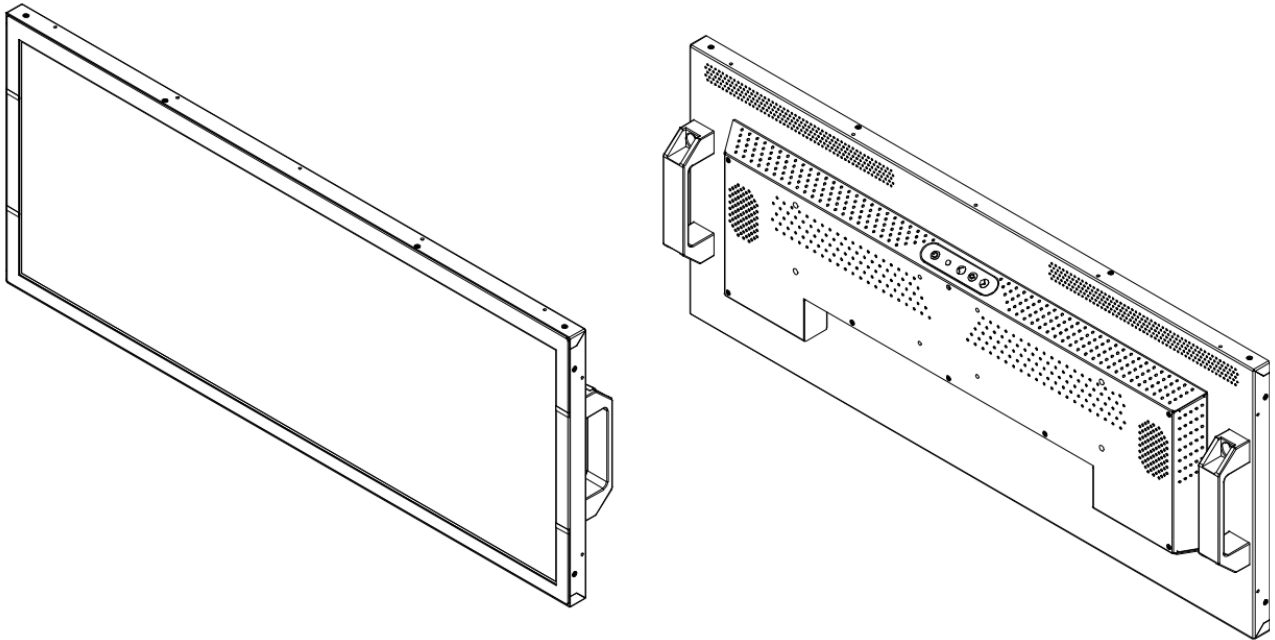
Specifications are subject to change without notice.
All brands or product names are trademarks or registered trademarks of their respective companies.

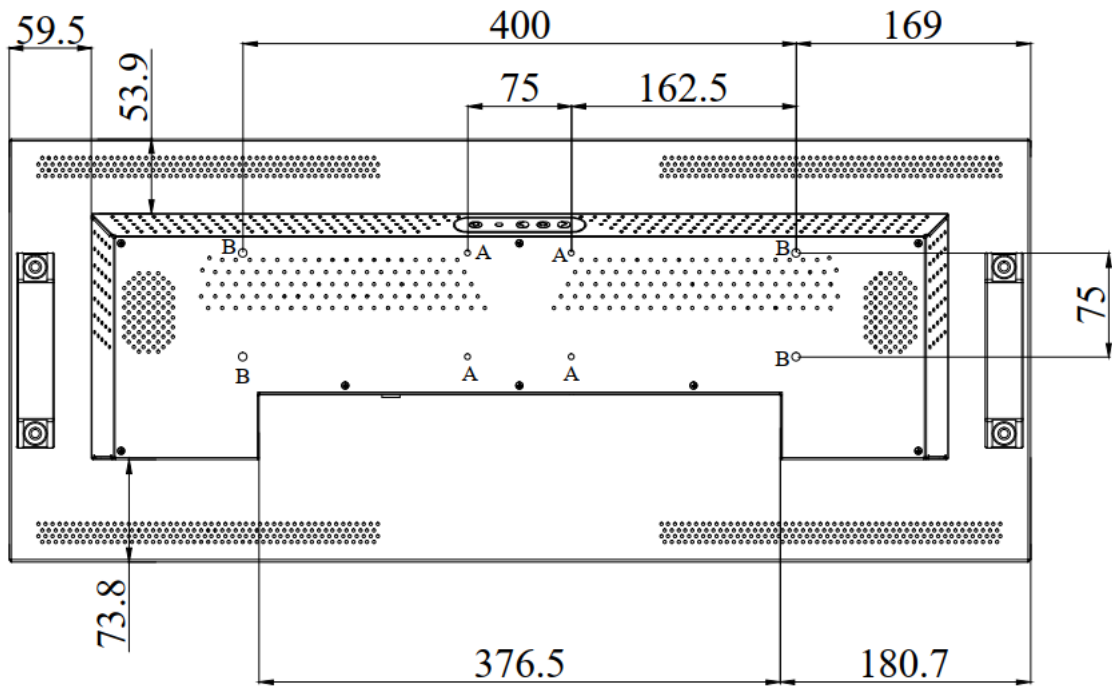
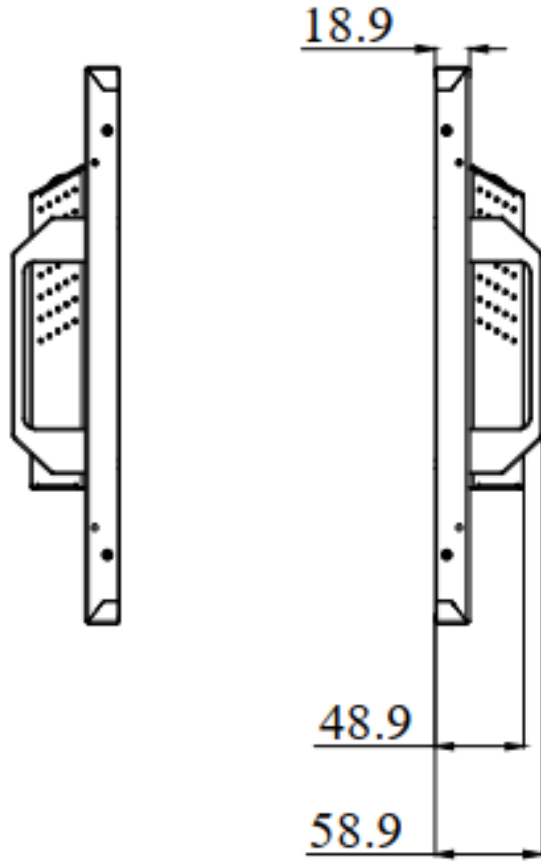


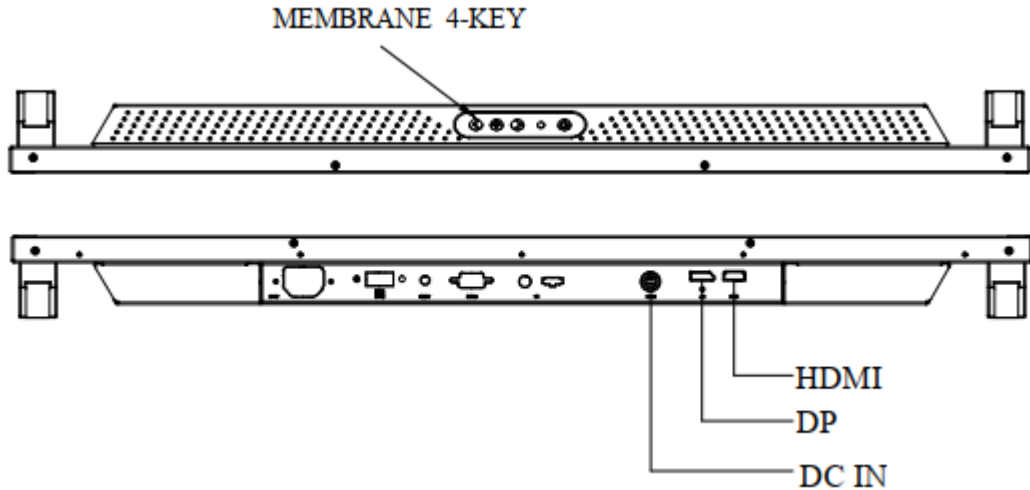
Mechanical Drawing

Outline Dimensions

Unit: mm







NOTE :

O.D. : OUTLINE DIMENSION

B.O. : BEZEL OPENING

A.A. : LCD ACTIVE AREA

A : 4-M4_VESA HOLE_Max Depth=5 mm

B : 4-M6_VESA HOLE_Max Depth=7 mm

All mechanical parts are with black painted

Ordering Information

Part Number	Description
SSD2940-YNB-T21	29.4",2000nits,1920x720,T2060,HTni,LID29C,AD68862HP,O/B,DC12V,2in1,V2

Optional Accessories

Part Number	Description
810618301010	CABLE.POWER.AC.1830mm USA type
810618301090	CABLE,POWER,AC,1830mm Europe type
810618301050	CABLE.POWER.AC.1830mm UK type
810618301170	CABLE.POWER,AC,1830mm Australia type
810618301031	CABLE.POWER.AC.1830mm Japan type

By Customer Request

Glass	Tempered glass, AR coating.....
Touch	PCT, SCT, Resistive.....