



DLF1055-E / DLH1055-E V3
10.4" TFT LCD, LED Backlight 1000nits, XGA(1024x768)

The DLF/DLH1055-E is a 10.4 inch industrial grade sunlight readable LCD, with high brightness 1000 nits for sunlight readable application. It produce sharp images, crisp text and lifelike colors. The Durapixel LED backlight technology ensures high reliability and low power consumption, suitable for outdoor application, kiosk, factory automation, military, transportation and gaming application.

Key Features

- High Brightness 1000 nits
- Sunlight Readable
- Aspect Ratio: 4:3
- Wide Viewing Angle of 176°(H), 176°(V)
- Wide Temperature (-30°C~70°C)
- Low Power Consumption
- BL MTBF: 70,000 hours



Specifications

Model Name	DLF1055-E / DLH1055-E V3
Description	10.4" TFT LCD, LED Backlight 1000 nits, XGA (1024x768)
Screen Size	10.4"
Display Area (mm)	210.43(H) x 157.82(V)
Brightness	1000 cd/m ²
Resolution	1024x768
Aspect Ratio	4 : 3
Contrast Ratio	1000 : 1
Pixel Pitch (mm)	0.2055(H) x 0.2055(V)
Pixel Pre Inch (PPI)	123
Viewing Angle	176°(H),176°(V)
Color Saturation (NTSC)	59%
Display Colors	16.2M
Response Time (Typical)	25ms
Panel Interface	LVDS
AD Board Input Interface	VGA, DVI-D
AD Board Input Power	DC12V
Power Consumption	12W (16W with AD Board)
OSD Key	4 Keys (Power Switch, Menu, +, -)
OSD Control	Brightness, Color, Contrast, H/V Position...etc
Dimensions (mm)	225.2 x 176.3 x 8.7
Bezel Size(U/B/L/R)	8/6.5/5.7/4.4 mm
Weight (Net)	0.44kg
Operating Temperature	-30 °C ~ 70 °C
Storage Temperature	-30 °C ~ 80 °C

DLF= Panel + LED Driving Board

DLH= Panel + LED Driving Board + AD Control Board

*Specifications are subject to change without notice.
 All brands or product names are trademarks or registered trademarks of their respective companies.*



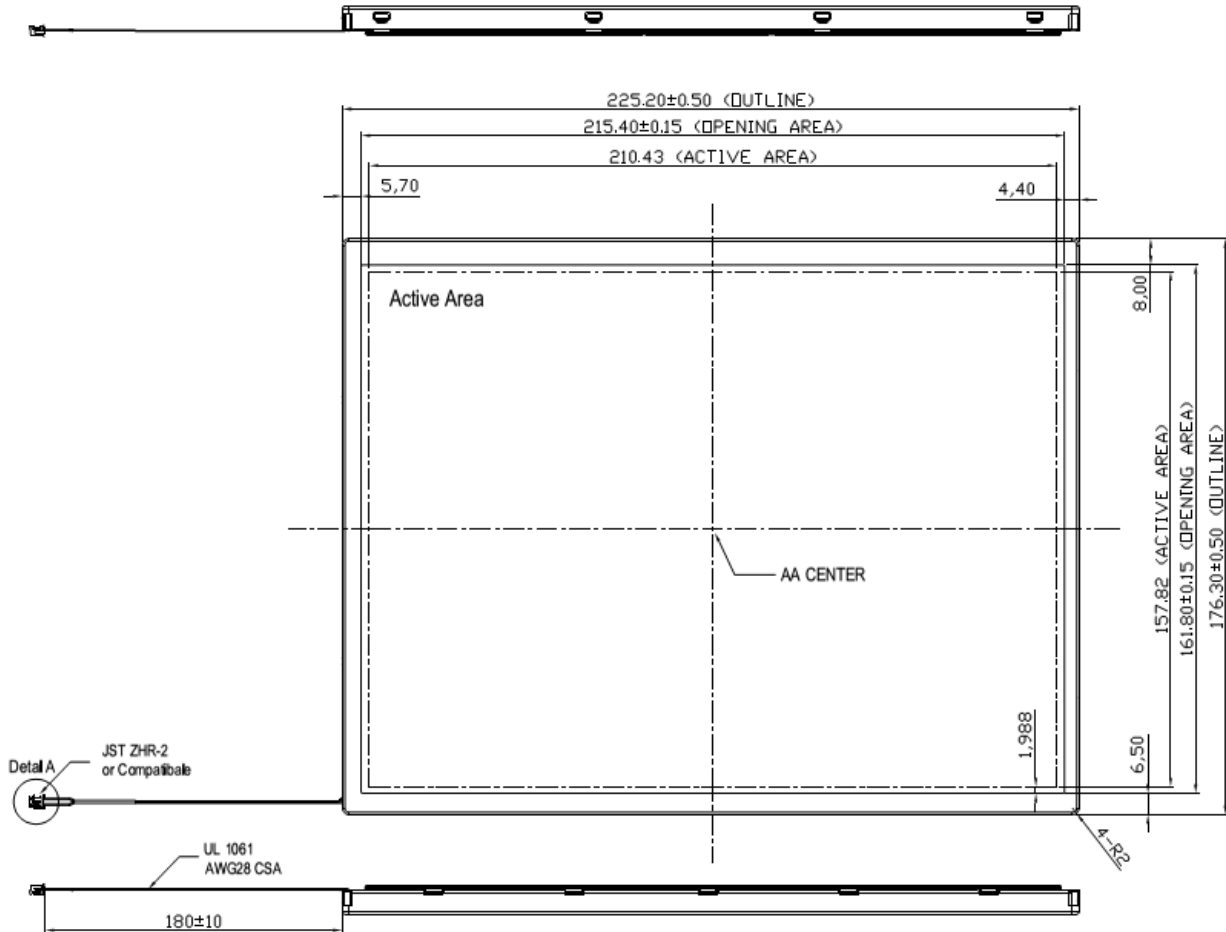
Mechanical Drawing

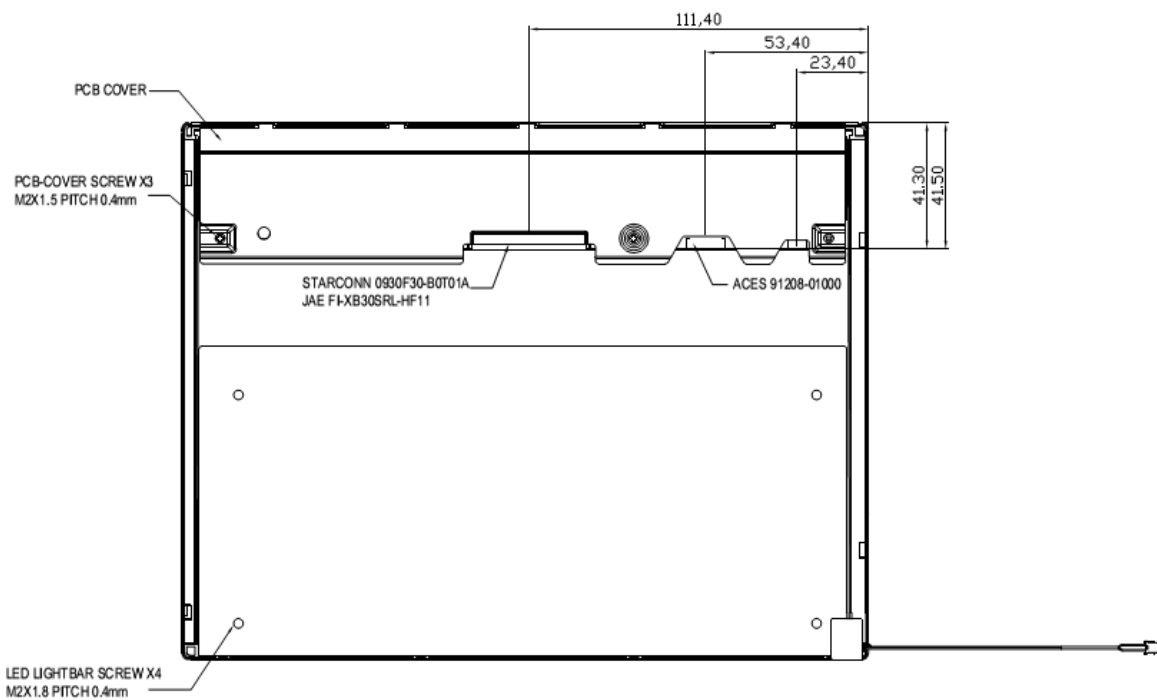
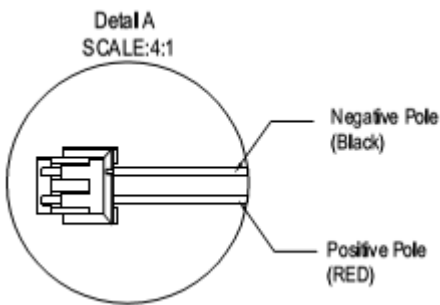
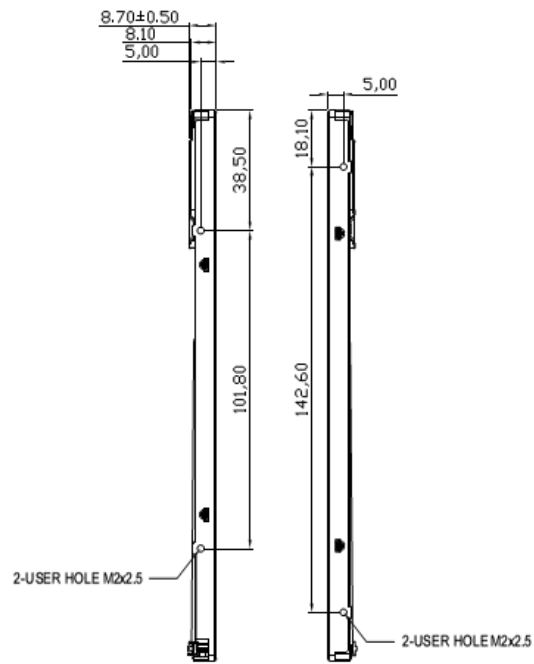
Outline Dimensions

Unit:mm

Note :

- 1.GENERAL TOLERANCE:±0.5mm
- 2.ALLOW ED DEPTH OF USERHOLE SCREW INSERTION IS 2.5mm (MAX).
3. USER SCREW TORQUE=2.5 kgf/cm (MAX).







Ordering Information

Part Number	Description
DLF1055-ENN-A21	10.4",1000nits,XGA,LID10A,5in1,V3
DLH1055-ENN-I21	10.4",1000nits,XGA,LID10A,AD6038GD,DC12V,5in1,V3

Optional Accessories

Part Number	Description
840612051212	ADAPTER,AC/DC,12V/5A,60W.Power-Din-4P,CWT.G99-ABF060F-N022.Efficiency-level-6,R
810618301010	CABLE.POWER.AC.1830mm USA type
810618301090	CABLE,POWER,AC,1830mm Europe type
810618301050	CABLE.POWER.AC.1830mm UK type
810618301170	CABLE.POWER,AC,1830mm Australia type
810618301031	CABLE.POWER.AC.1830mm Japan type

Customer request

Touch	SCT (Single-Touch), PCT (Multi-Touch)
Glass	Tempered glass, AR coating.....