



DLF/DLH1268-E

12.1" TFT LCD, LED Backlight 1600nits, 1024x768

DLF/DLH1268-T is an innovative sunlight readable, LED backlight LCD display. It provides LCD panel with specific ratios for digital signage, public transportation, exhibition hall, department store, vending machine and industrial applications. Incorporating with AD. Control board and backlight design, it is high brightness and sunlight readable panel, can display high-quality video with energy-efficient.

Key Features

- High Brightness 1600 nits
- Sunlight Readable
- Wide Operation Temperature
- LED Backlight
- Low Power Consumption
- Slim Bezel
- BL MTBF: 100,000 hours



Specifications

Model Name	DLF/DLH1268-E V3
Description	12.1" TFT LCD, 1600 nits LED Backlight, 1024x768
Screen Size	12.1"
Display Area (mm)	245.8(H) x 184.3(V)
Brightness	1600 cd/m ²
Resolution	1024x768
Contrast Ratio	600 : 1
Pixel Pitch (mm)	0.24(H) x 0.24(V)
Pixel Pre Inch (PPI)	106
Viewing Angle	160°(H),160°(V)
Color Saturation (NTSC)	80%
Display Colors	16.2M
Response Time (Typical)	35ms
Panel Interface	LVDS
AD Board Input Interface	VGA, DVI
Input Power	DC 12V
Power Consumption	10W,13.8W(with AD board)
OSD Key	4 Keys (Power Switch, Menu, +, -)
OSD Control	Brightness, Color, Contrast, Auto Turing, H/V Position...etc
Dimensions (mm)	272 x 204.6 x 12.5mm
Bezel Size(U/B/L/R)	8.3/8.3/12.4/10.6 mm
Weight (Net)	0.6kg
Operating Temperature	-30°C ~ 85 °C
Storage Temperature	-30 °C ~ 85 °C

DLF= Panel + LED Driving Board

DLH= Panel + LED Driving Board + AD Control Board

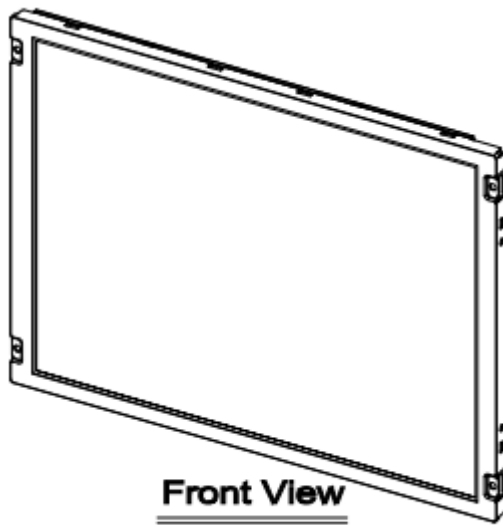
Specifications are subject to change without notice.
All brands or product names are trademarks or registered trademarks of their respective companies.

Mechanical Drawing

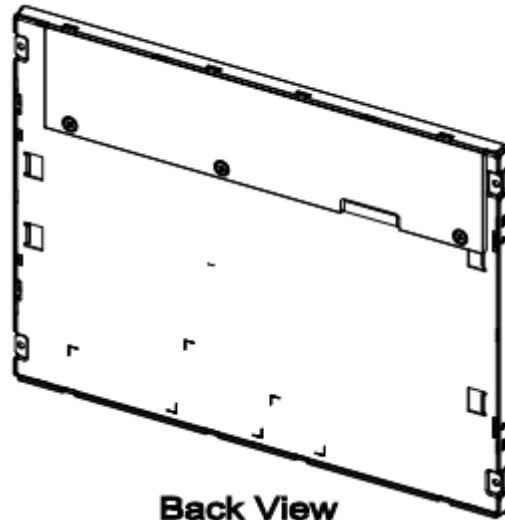


Outline Dimensions

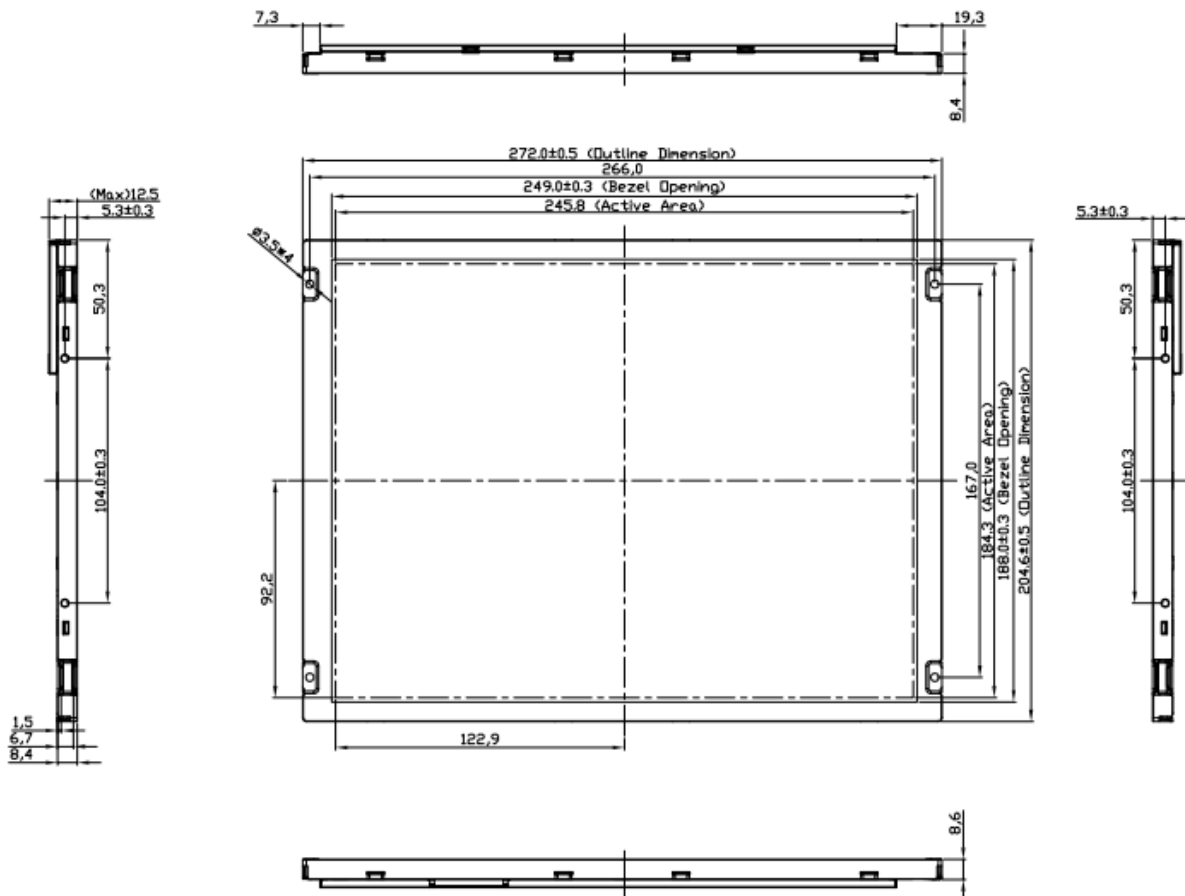
Unit:mm

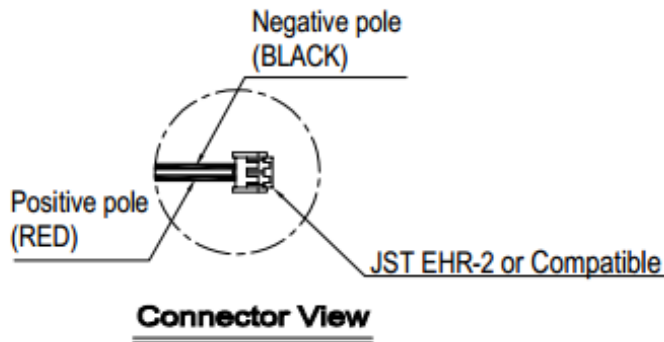
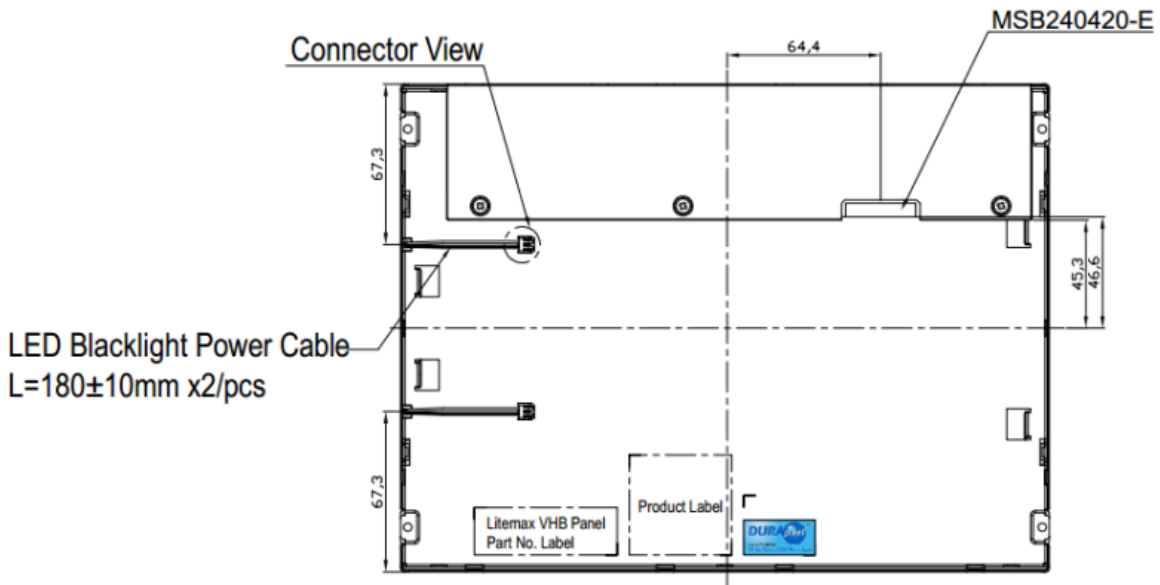


Front View



Back View





Note :

1. THE DIMENSION EXCLUDES DEFORMATION.
2. MODULE THICKNESS TO BE MAX.12.5mm(With Dirver Cover)
3. LED B/L CONNECTOR : HD2505-02 OR COMPATIBLE
4. I/F CONNECTOR TO BE MSB240420-E OR COMPATIBLE
5. M3 USER HOLE SCREW TORQUE 5.0 kgf·cm MAX.



Ordering Information

Part Number	Description
DLF1268-ENN-A21	12.1",1600nits,XGA,LID12A.DC 12V,w/o boss,5 in 1,V03
DLH1268-ENN-I21	12.1",1600nits,XGA,LID12A.AD6038GD,DC 12V,w/o boss.5 in 1,V03

Optional Accessories

Part Number	Description
840612051212	ADAPTER,AC/DC,12V/5A,60W.Power-Din-4P,CWT.G99-ABF060F-N022.Efficiency-level-6,R
810618301010	CABLE.POWER.AC.1830mm USA type
810618301090	CABLE,POWER,AC,1830mm Europe type
810618301050	CABLE.POWER.AC.1830mm UK type
810618301170	CABLE.POWER,AC,1830mm Australia type
810618301031	CABLE.POWER.AC.1830mm Japan type

Customer request

Touch	PCT (Multi-Touch)
Glass	Tempered glass, AR coating.....