



SSF/SSH1916-I V1

19.1" LCD, 1200nits, LED backlight, 1920 x 388 ultra-wide aspect ratio 16:3.2

The SSF/SSH1916-I is a 19.1 inch color TFT-LCD display with special aspect ratio 16:3.2 and wide resolution 1920 x 388. It is Litemax's Spanpixel series product which designed for high brightness with power efficiency LED backlight. It provides LCD panel with specific aspect ratios and sunlight readable for digital signage, public transportation, exhibition hall, department store, and vending machine.

Key Features

- Resizing LCD
- Ultra Wide Screen 16:3.2
- LED Backlight
- Brightness 1200nits
- Low Power Consumption
- BL MTBF: 100,000 hours



Specifications

Model Name	SSF/SSH1916-I
Description	19.1" TFT LCD, 1200nits LED backlight , 1920 x 388
Screen Size	19.1"
Display Area (mm)	476.064(H) x 96.204(V)
Brightness	1200 cd/m ²
Resolution	1920 x 388
Aspect Ratio	16 : 3.2
Contrast Ratio	7100 : 1
Pixel Pitch (mm)	0.24795(H) x 0.24795(V)
Pixel Per Inch (PPI)	102
Viewing Angle	178°(H),178°(V)
Color Saturation (NTSC)	81%
Display Colors	16.7M
Response Time (Typical)	20ms
Panel Interface	LVDS
Input Interface	VGA, DVI-D, HDMI
Input Power	DC12V
Power Consumption	10.8W, 16.5W (with AD board)
OSD Key	4 Keys (Power Switch, Menu, +, -)
OSD Control	Brightness, Color, Contrast, Auto Turing, H/V Position...etc
Dimensions (mm)	497.60x121.30x16.55
Bezel Size(U/B/L/R)	12.548/12.548/10.768/10.768 mm
Weight (Net)	0.74Kg
Operating Temperature	0 °C ~ 50 °C
Storage Temperature	-20 °C ~ 60 °C

SSF= Panel + LED Driving Board

SSH= Panel + LED Driving Board + AD Control Board

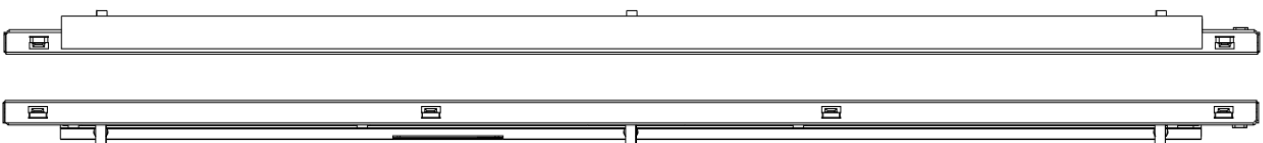
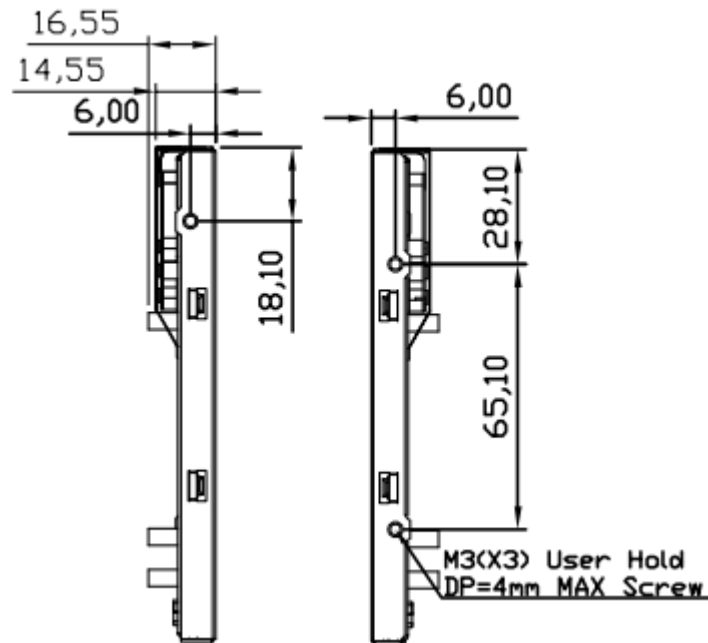
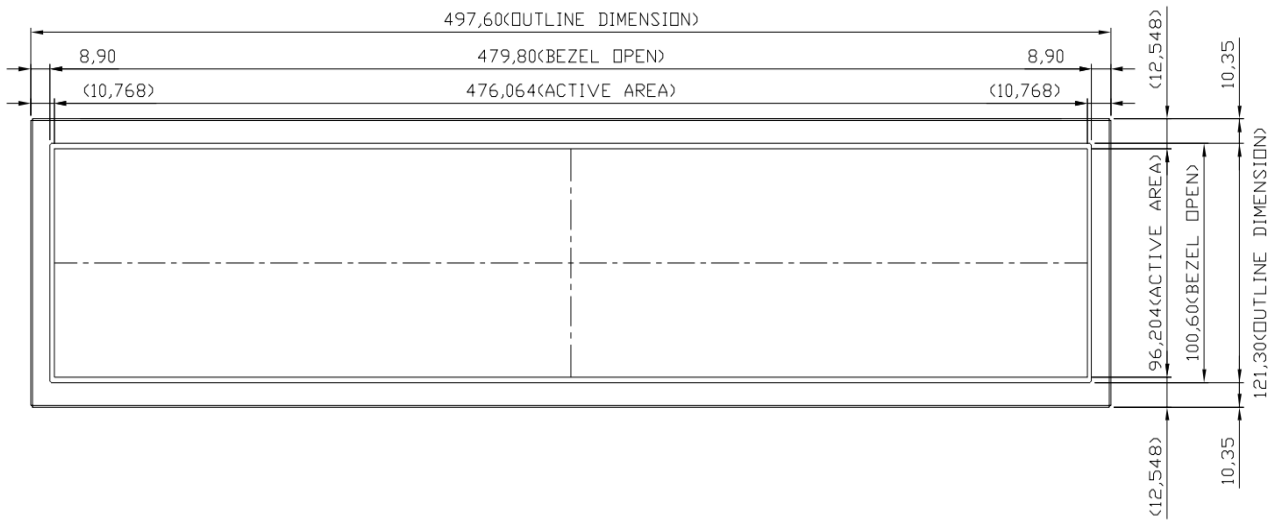
Specifications are subject to change without notice.
All brands or product names are trademarks or registered trademarks of their respective companies.

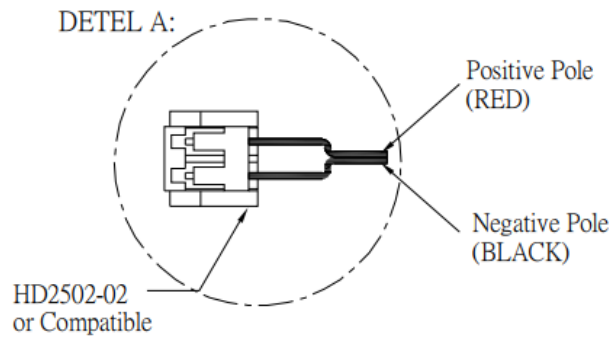
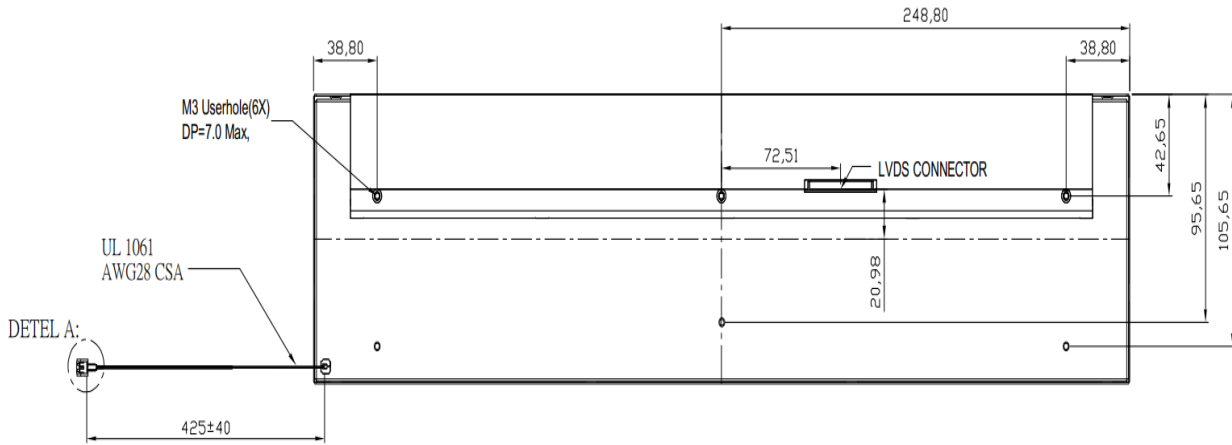


Mechanical Drawing

Outline Dimensions

Unit:mm





Note :

1. THE DIMENSION EXCLUDES DEFORMATION.
2. MODULE THICKNESS TO BE 16.55mm MAX.
2. ALLOW ED DEPTH OF USERHOLE SCREW INSERTION IS 7.0mm MAX.
3. USER SCREW TORQUE=3.0 kgf/cm MAX.



Ordering Information

Part Number	Description
SSF1916-INN-A01	19.1",1200nits,1920*388,LID19C,5in1,V1
SSH1916-INN-Q01	19.1",1200nits,1920*388,AD8891GDH w/LID,DC12V,5in1,V1

Optional Accessories

Part Number	Description
840612051212	ADAPTER,AC/DC,12V/5A,60W,Power-Din-4P,CWT,G99-ABF060F-N022,Efficiency-level-6,R
810618301010	CABLE,POWER,AC,1830mm USA type
810618301090	CABLE,POWER,AC,1830mm Europe type
810618301050	CABLE,POWER,AC,1830mm UK type
810618301170	CABLE,POWER,AC,1830mm Australia type
810618301031	CABLE,POWER,AC,1830mm Japan type

Customer request

Touch	SCT (Single-Touch), PCT (Multi-Touch)
Glass	Tempered glass, AR coating.....