



## SSF/SSH1945-MNW\_V1

### 19.4" TFT LCD, 1000 nits LED backlight

The **SSF/SSH1945-M** is a 19.4 inch industrial grade sunlight readable LCD, with high brightness 1000 nits and high color saturation, it produce sharp images, crisp text and lifelike colors. The Spanpixel LED backlight technology ensures high reliability and low power consumption, suitable for outdoor application, kiosk, factory automation, military, transportation and gaming application.

#### Key Features

- Resizing LCD
- Ultra-Wide Screen (16: 4.5)
- High Brightness 1000 nit
- LED Backlight
- High Color Saturation
- Wide viewing angle 178°(H)~178°(V)
- Low Power Consumption
- BL MTBF: 100,000 hours



### Specifications

Model Name	SSF/SSH1945-MNW
Description	19.4" Resizing LCD, 1000 nits LED backlight, MaxRGB, 1920x536
Screen Size	19.4"
Display Area (mm)	476.06(H) x 132.9(V)
Brightness	1000 cd/m <sup>2</sup>
Resolution	1920x536
Aspect Ratio	16 : 4.5
Contrast Ratio	6000 : 1
Pixel Pitch (mm)	0.248(H) x 0.248(V)
Pixel Per Inch (PPI)	102
Viewing Angle	178°(H), 178°(V)
Color Saturation (NTSC)	92%
Display Colors	16.7M
Response Time (Typical)	20ms
Video Interface	DP
Input Power	DC12V
Power Consumption	21.5W, 23W (with AD board)
Dimensions (mm)	497x 149.8 x 13.96
Bezel Size(U/B/L/R)	9.6/5.14/8.68/8.68
Weight (Net)	0.92kg
OSD Key	4 Keys (Power Switch, Menu, +, -)
OSD Control	Brightness, Color, Contrast, Auto Turing, H/V Position...etc
Operating Temperature	0 °C ~ 50 °C
Storage Temperature	-20 °C ~ 60 °C

SSF= Panel + LED Driving Board

SSH= Panel + LED Driving Board + AD Control Board

*Specifications are subject to change without notice.*

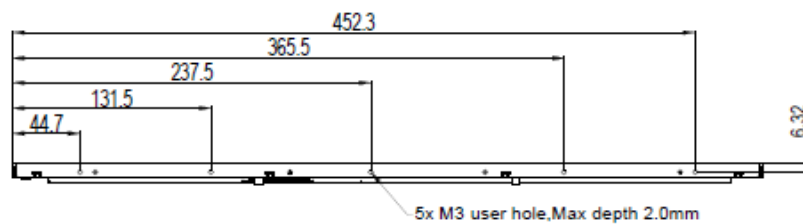
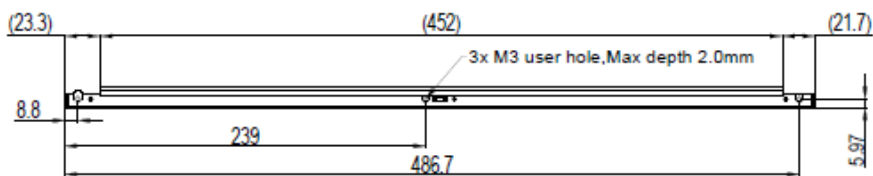
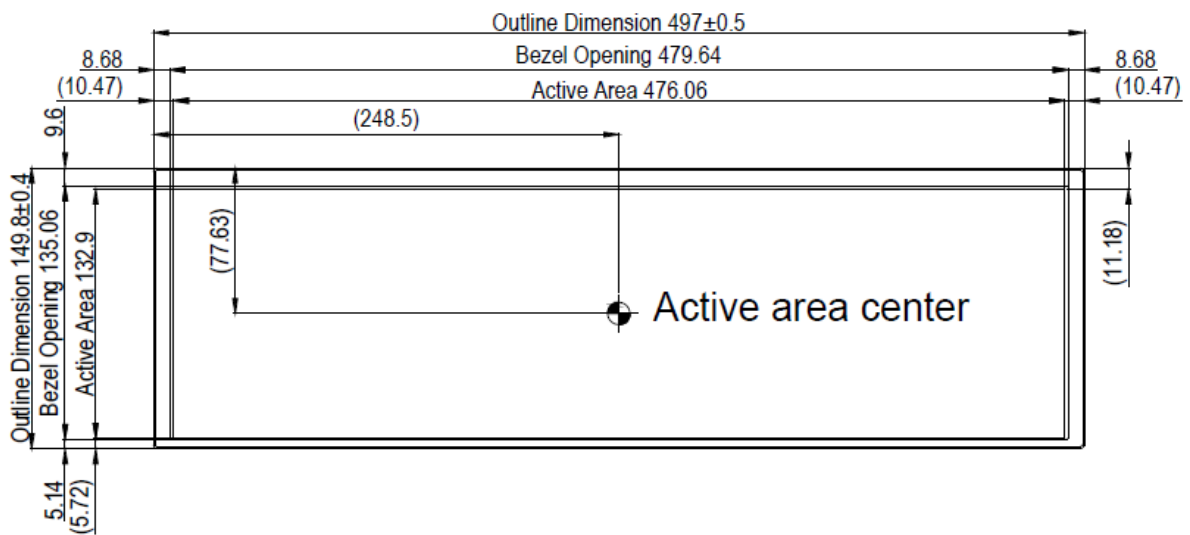
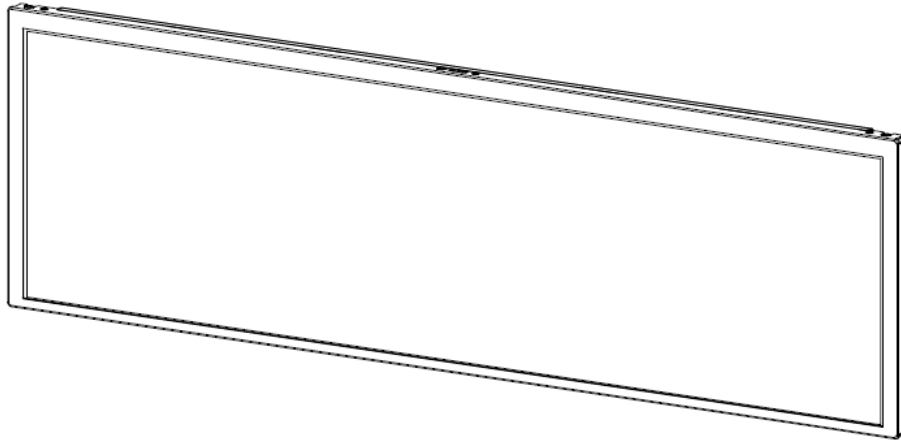
*All brands or product names are trademarks or registered trademarks of their respective companies.*

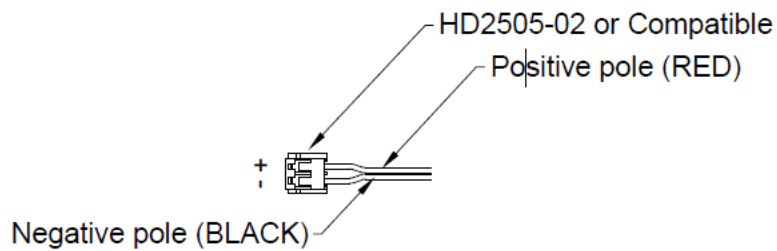
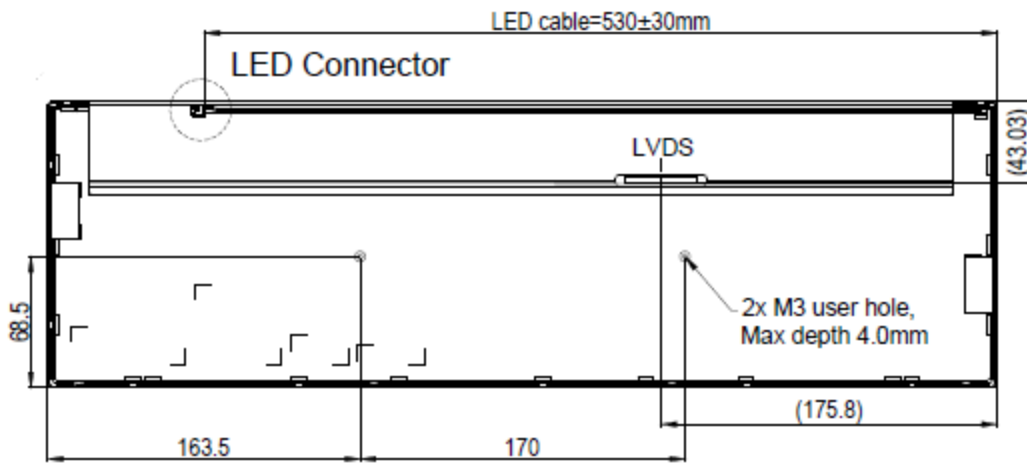
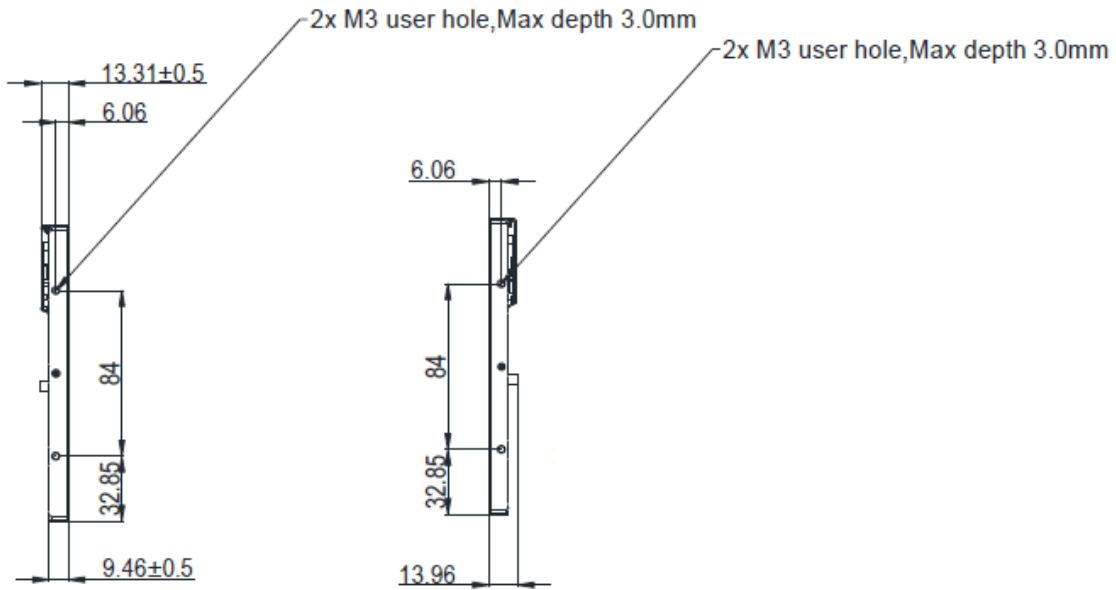


## Mechanical Drawing

### Outline Dimensions

Unit:mm





**Note:**

1. Resolution: 1920x536
2. Tolerance is  $\pm 0.5\text{mm}$  unless noted
3. "( )"marks the reference dimensions



### Ordering Information

Part Number	Description
SSF1945-MNW-A01	19.4",1000nits,1920*536,MaxRGB,LID19C,10in1,V1
SSH1945-MNW-Q01	19.4",1000nits,1920*536,MaxRGB,AD8891P w/LID,O/B,DC12V,10in1,V1

### Optional Accessories

Part Number	Description
840612051104	ADAPTER.12V.5A.60W.G99-CAD060F-N001,DC Plug,2.1*5.5mm,P
800400603001	CABLE,POWER,DC,200mm,UL1185.MOLEX 4.2mm 4P TO DC JACK,ATI,R
810618301010	CABLE.POWER.AC.1830mm USA type
810618301090	CABLE,POWER,AC,1830mm Europe type
810618301050	CABLE.POWER.AC.1830mm UK type
810618301170	CABLE.POWER,AC,1830mm Australia type
810618301031	CABLE.POWER.AC.1830mm Japan type

### Customer request

Touch	PCT (Multi-Touch)
Glass	Tempered glass, AR coating.....