



## SSD3325-Y

### 33.2" TFT LCD, LED Backlight 1000nits, FHD(1920x1920)

The SSD3325-Y is a 33.2 inch color TFT-LCD display with special aspect ratio 1:1 and wide resolution 1920x1920. It is Litemax's Spanpixel series product which designed for high brightness with power efficiency LED backlight. It provides LCD panel with specific aspect ratios and sunlight readable for digital signage, public transportation, exhibition hall, department store, and vending machine.

#### Key Features

- High Brightness 1000nits
- Sunlight Readable
- Aspect ratio 1:1
- LED Backlight
- Low Power Consumption
- Slim Bezel
- BL MTBF: 100,000 hours



### Specifications

<b>Model Name</b>	<b>SSD3325-Y</b>
<b>Description</b>	33.2" TFT LCD, 1000nits LED Backlight, 1920x1920
<b>Screen Size</b>	33.2"
<b>Display Area (mm)</b>	596.16(H) x 596.16(V)
<b>Brightness</b>	1000 cd/m <sup>2</sup>
<b>Resolution</b>	1920x1920
<b>Aspect Ratio</b>	1 : 1
<b>Contrast Ratio</b>	600 : 1
<b>Pixel Pitch (mm)</b>	0.3105(H) x 0.3105(V)
<b>Pixel Pre Inch (PPI)</b>	82
<b>Viewing Angle</b>	178 °(H),178 °(V)
<b>Color Saturation (NTSC)</b>	77%
<b>Display Colors</b>	16.7M
<b>Response Time (Typical)</b>	8ms
<b>Panel Interface</b>	LVDS
<b>AD Board Input Interface</b>	Dual-DVI, HDMI, DP
<b>Input Power</b>	AC 100~240V
<b>Power Consumption</b>	60W
<b>OSD Key</b>	5 Keys (Power Switch, Menu, +, Exit, -)
<b>OSD Control</b>	Brightness, Color, Contrast, Auto Turing, H/V Position...etc
<b>Dimensions (mm)</b>	615.8x615.8x62.9
<b>Bezel Size(U/B/L/R)</b>	6.9/6.9/6.9/6.9 mm
<b>Weight (Net)</b>	11.5 kg
<b>Mounting</b>	400x200, 400x300
<b>Operating Temperature</b>	0 °C ~ 50 °C
<b>Storage Temperature</b>	-20 °C ~ 60 °C

**SSD** = Panel + LED Driving Board + AD Control Board + Chassis

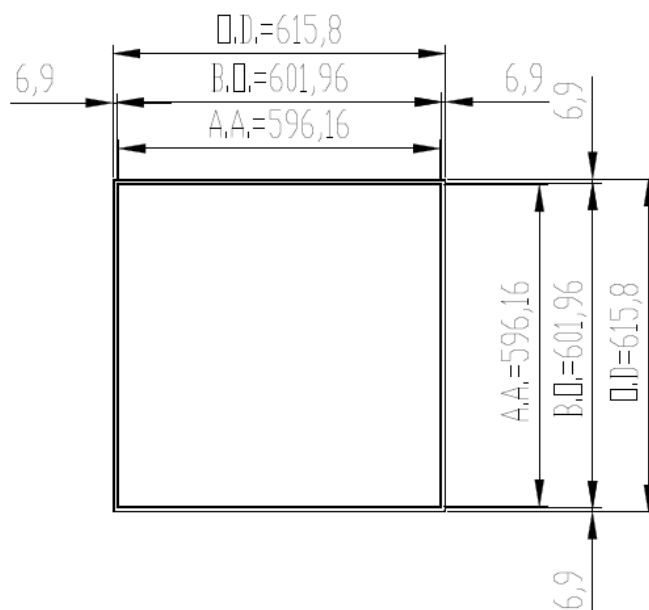
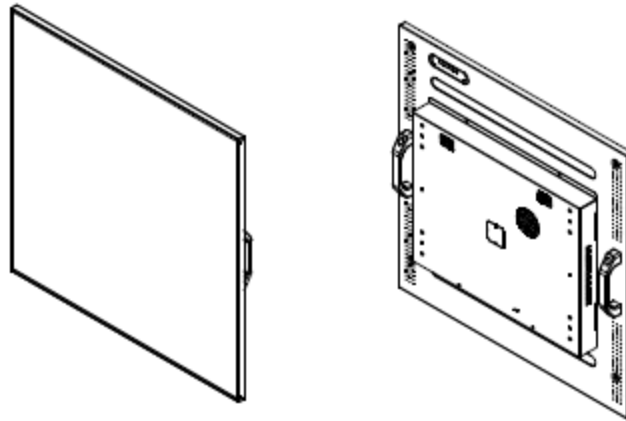


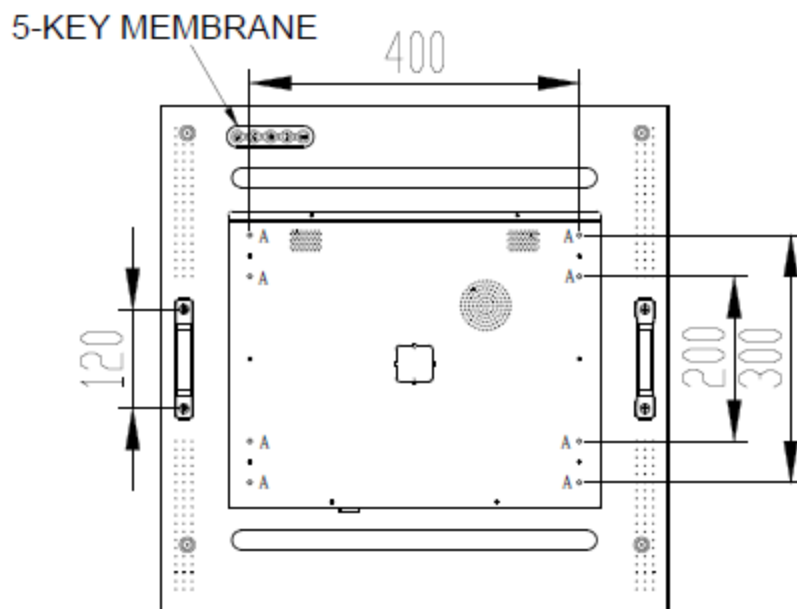
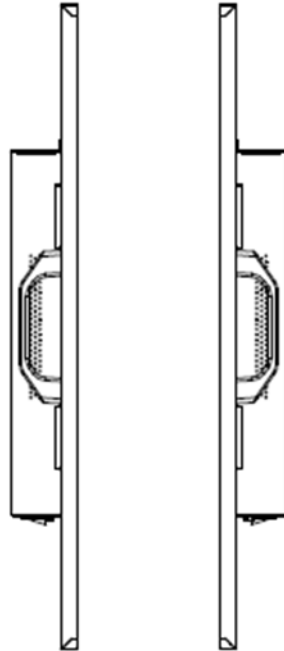
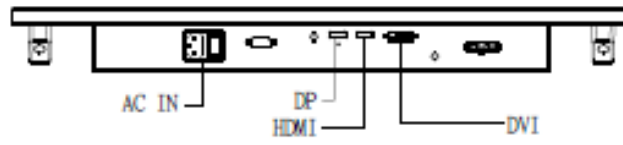
Specifications are subject to change without notice.  
All brands or product names are trademarks or registered trademarks of their respective companies.

## Mechanical Drawing

### Outline Dimensions

Unit:mm





A : 8-M6\_USER HOLE\_MAX. DEPTH=20mm



### Ordering Information

Part Number	Description
SSD3325-YNB-M01	33.2",1000nits,1920x1920,LID33C,AD9131DHP,O/B,AC100~240V,1in1,V1

### Optional Accessories

Part Number	Description
810618301010	CABLE.POWER.AC.1830mm USA type
810618301090	CABLE,POWER,AC,1830mm Europe type
810618301050	CABLE.POWER.AC.1830mm UK type
810618301170	CABLE.POWER,AC,1830mm Australia type
810618301031	CABLE.POWER.AC.1830mm Japan type

### Customer request

Touch	PCT (Multi-Touch)
Glass	Tempered glass, AR coating.....