

# IBOX-APL2 P TYPE

Fanless Box system with Intel® Atom™/ Pentium®/ Celeron® (Apollo Lake) Processor



12 V  
DC-in



HDMI



Fanless



## Key Features

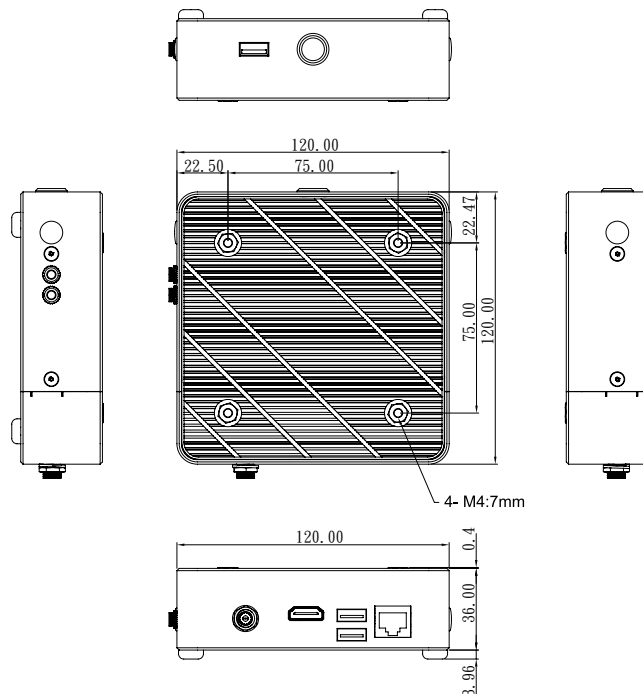
- Intel® Atom™/ Pentium®/ Celeron® (Apollo Lake SoC) onboard processor
- Supports 4K/2K Resolution Display
- 1 HDMI, 3 USB, 1 LAN, 1 AUDIO
- DC 12 input
- Wide temperature: 0°C ~ 50°C (Optional -20°C ~ -40°C)
- Watchdog timer

Ultra Slim Box PC

## Product Specification

System color	Silver
Mechanical	Aluminum extrusion and heavy-duty steel
CPU	Intel® ApolloLake SoC onboard Intel® Atom™ x5 E3930 1.30GHz (6.5W) Intel® Pentium® N4200 QC 1.10GHz (6W) Intel® Celeron® N3350 DC 1.10GHz (6W)
Chipset	Intel® Apollo Lake-I SoC integrated
Graphic	Intel® HD Gen. 9-LP graphics
BIOS	AMI SPI Flash ROM
System memory	1 x 204-pin DDR3L 1866MHz SDRAM; max. up to 8GB
System I/O	1 x HDMI, 2 x USB 3.0, 1 x USB 2.0, 1 x LAN
Ethernet	1 x Gigabit Ethernet (Intel® I211)
Storage support	1 x mSATA
Audio	Mic-in, Line-out
Expansion slot	2 (1 x Full size w/mSATA; 1 x Half size)
System indicators	1 x Power LED
System controls	1 x Power on switch
Digital I/O	N/A
Watchdog timer	Interval: Programmable 1 ~ 255 sec. Output: System reset
OS Support	Win10, Linux
Power supply	Wide range DC 12 input, with AC 60W adapter, DC 12V output, DC Jack- Screw connector
Operating temperature	0°C ~ 50°C (Optional -20°C ~ -40°C)
Storage temperature	-20°C ~ 80°C
Relative humidity	0% ~ 90% (non-condensing)
Mounting	Wall mount/VESA75 mount/DIN mount (optional)
Dimensions	120 mm(W) x 120 mm(D) x 40.4 mm(H)
Weight	0.6 kg

## Dimensions



## Optional

Power cord	US (VN00000100CU) / EUR (VN00000200CU) / JP (VN00000300CU) / UK (VK00028600CU)
------------	---

## Ordering Information

Part Number	description
IBOX-APL2-3930-PN00-0000	Standard Type P Fanless BOX PC, Intel Atom™ E3930 DC 1.30GHz (6.5W), HDMI, 1LAN/3USB/1AUDIO, BAREBONE, DC(12V)/DC-Jack(Lock)with power adapter
IBOX-APL2-3350-PN00-0000	Standard Type P Fanless BOX PC, Intel Celeron® N3350 DC 1.10GHz (6W), HDMI, 1LAN/3USB/1AUDIO, BAREBONE, DC(12V)/DC-Jack(Lock)with power adapter
IBOX-APL2-4200-PN00-0000	Standard Type P Fanless BOX PC, Intel Celeron® N4200 QC 1.10GHz (6W), HDMI, 1LAN/3USB/1AUDIO, BAREBONE, DC(12V)/DC-Jack(Lock)with power adapter

## Rear I/O



\*All specifications and photos are subject to change without prior notice