



SSD2945-E V2

29.3" Resizing LCD, 1000 nits LED backlight, 1920x710 ultra wide aspect ratio 16:6

SSD2945-E V2 is an innovative ultra-wide, sunlight readable, LED backlight LCD display. It provides LCD panel with specific ratios for digital signage, public transportation, exhibition hall, department store, vending machine and industrial applications. Incorporating with A.D. control board and backlight design, it is high brightness and sunlight readable panel, can display high-quality video with energy-efficient.

Key Features

- Resizing LCD
- Ultra Wide Screen (16 : 6)
- LED Backlight
- High Brightness 1,000 nits
- Low Power Consumption
- Wide Dimming
- Life Expectancy (70,000hrs)



Specifications

V1

Model No.	SSD2945-E V2
Description	29.3" Resizing LCD, 1000 nits LED backlight
Display Area	698.4*258.2 mm
Brightness	1000 cd/m ²
Resolution	1920 x 710
Aspect Ratio	16 : 6
Contrast Ratio	3000:1
Pixel Pitch (mm)	0.3637 x 0.3637
Pixel Per Inch (PPI)	69.7
Viewing Angle	178°(H), 178°(V)
Display Colors	16.7M
Response Time (Typical)	8 ms
Sync	LVDS
Power Consumption	53 W
Dimensions (mm)	740.6 x 306.7 x 63.7
Weight (Net)	8.6 kg
LED Driving Board	LID29A
Control Board (Optional)	AD2662GD / AD2662GDVAR / AD2662GDHMVAR
<input type="checkbox"/> AD2662GD	VGA + DVI
<input type="checkbox"/> AD2662GDVAR	VGA + DVI (Optional AV/ S-Video / Component / Audio)
<input type="checkbox"/> AD2662GDHMVAR	VGA + DVI + HDMI (Optional AV/ S-Video / Component / Audio)
<input type="checkbox"/> Others	
F / R Control Button	5 Key / 4 Key
<input type="checkbox"/> 4 Key	Power Switch, Menu, Select (+,-),
<input type="checkbox"/> 5 Key	Power Switch, Menu, Select (+,-),Auto
OSD Menu	Brightness, Contrast, H/V Position, Color, Phase, Clock...
Optional	<input type="checkbox"/> Touch Screen

Specifications are subject to change without notice.

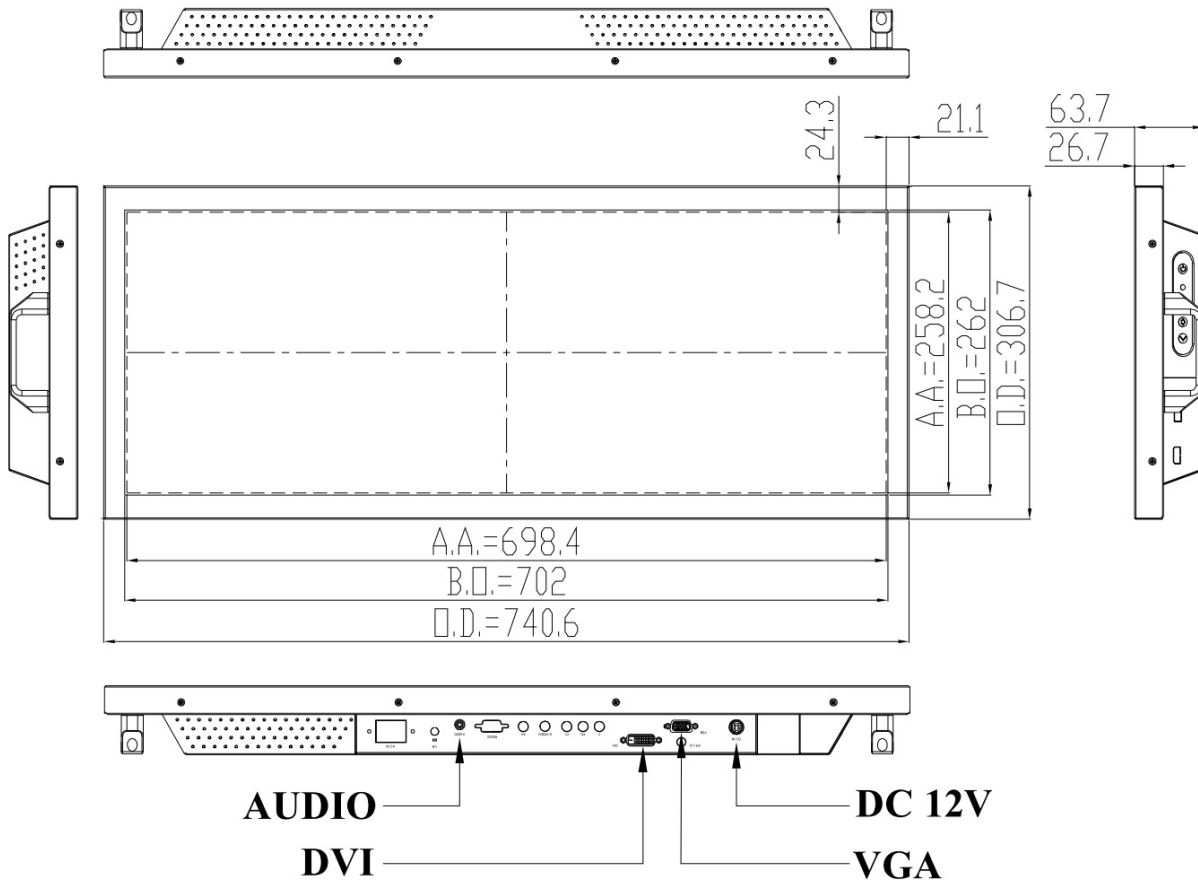
All brands or product names are trademarks or registered trademarks of their respective companies.

SSD= Panel+ LED Driving Board + Control Board

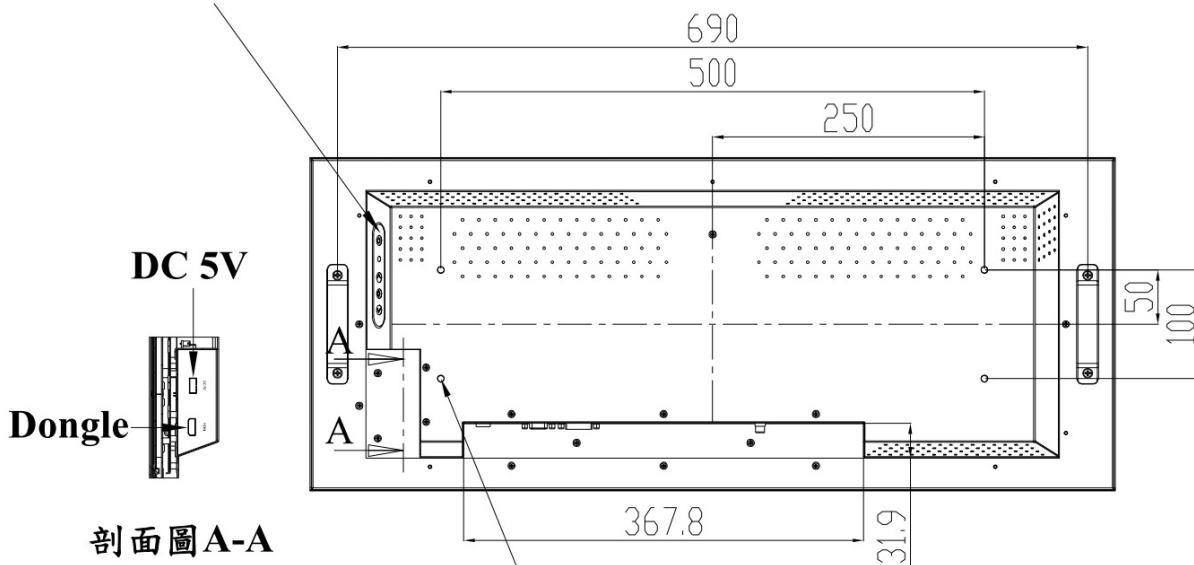


Mechanical Drawing

Outline Dimensions



MEMBRANE 4-KEY



4-M6 SCREW

Max Depth = 10 mm



Ordering Information

Model Name	Description
SSD2945-ENB-G11	29.3",1000nits,1920*710,LID29A.AD2662GDHM,USB+HDMI board,O/B,DC 12V ,V02

Optional Accessories

Part Number	Description
840612051210 (Optional)	ADAPTER,AC/DC,12V/5.4A,65W,Atech OEM A065112-TDx.4P SLIDING CAP,P
810618301010 (Optional)	CABLE.POWER.AC.1830mm.(US Type).3PIN PLUG TO SOCKET.SVT(SPT-2)18AWG 3C BLACK.P.
810618301090 (Optional)	CABLE,POWER,AC,1830mm.(EU Type) 3PIN PLUG TO.SOCKET,H05VV-F 3G.0.75MMSQ BLACK,P
810618301050 (Optional)	CABLE,POWER,AC,1830mm.UK(FUSE) 3PIN PLUG TO.SOCKET,H05VV-F 3C(3G) 0.75MMSQ BLACK,P
810618301170 (Optional)	CABLE.POWER,AC,1830mm. (AU Type) 3PIN PLUG TO 2P SOCKET.LTSA 0.75MMSQ BLACK,P
810618301031 (Optional)	CABLE.POWER.AC.1830mm.(JP Type).2PIN PLUG Y TERMINAL TO. SOCKET.VCTF 3C 0.75MMSQ BLACK,P