



SSF/SSH3700-Y V1

37" TFT LCD, 2500 nits LED Backlight , 1920x540 ultra-wide aspect ratio 16:4.5

The SSF/SSH3700-Y is a 37 inch color TFT-LCD display with special aspect ratio 16:4.5 and wide resolution 1920 x 540. It is Litemax's Spanpixel series product which designed for high brightness 2500 nits with power efficiency LED backlight. It provides LCD panel with specific aspect ratios and sunlight readable for digital signage, public transportation, exhibition hall, department store, and vending machine.

Key Features

- 37" Stretched LCD
- Ultra-Wide Screen (16 : 4.5)
- High Brightness 2500 nits
- LED Backlight
- LCD blacking defect free (Hi-Tni 110 °C)
- Low Power Consumption
- BL MTBF: 70,000 hours



Specifications

Model Name	SSF/SSH3700-Y V1
Description	37" TFT LCD, 2500 nits LED backlight, 1920x540
Screen Size	37"
Display Area (mm)	904.32(H) x 254.34(V)
Brightness	2500 cd/m ²
Resolution	1920x540
Aspect Ratio	16 : 4.5
Contrast Ratio	7900 : 1
Pixel Pitch (mm)	0.47(H) x 0.47(V)
Pixel Per Inch (PPI)	54
Viewing Angle	178°(H), 178°(V)
Color Saturation (NTSC)	64%
Display Colors	1073.7M
Response Time (Typical)	8ms
Panel Interface	LVDS
AD Board Input Interface	DVI-I, HDMI, DP
AD Board Input Power	DC 24V
Power Consumption	83W, (89W with AD board)
OSD Key	4 Keys (Power Switch, Menu, +, -)
OSD Control	Brightness, Color, Contrast, Auto Turing, H/V Position...etc
Dimensions (mm)	923.30(H) x 277.10(V) x 30.05 (T)
Bezel Size(U/B/L/R)	9.80/9.80/7.90/7.90 mm
Weight (Net)	4.96kg
Operating Temperature	0 °C ~ 50 °C
Storage Temperature	-20 °C ~ 60 °C

SSF= Panel + LED Driving Board

SSH= Panel + LED Driving Board + AD Control Board

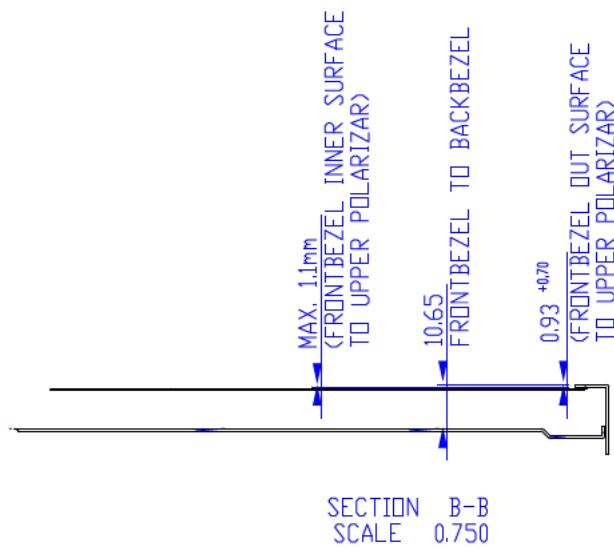
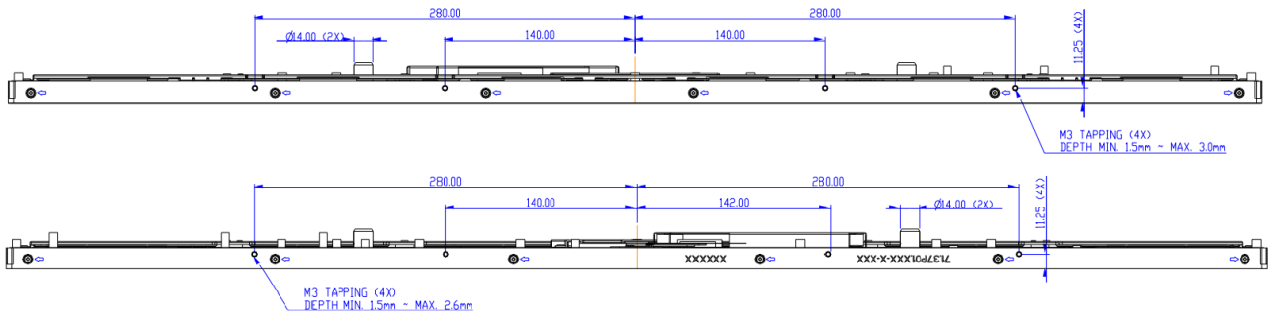
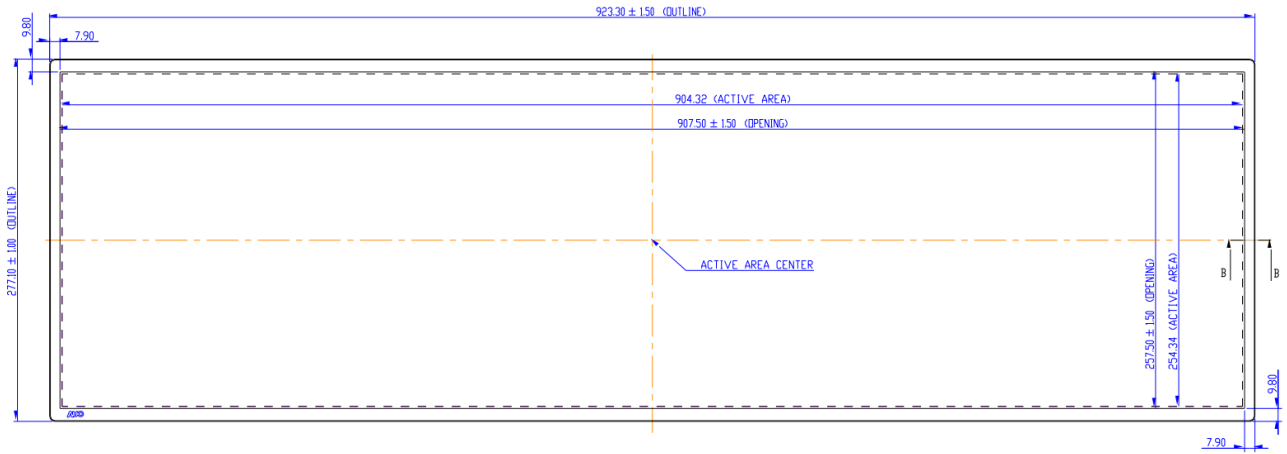
Specifications are subject to change without notice.
All brands or product names are trademarks or registered trademarks of their respective companies.

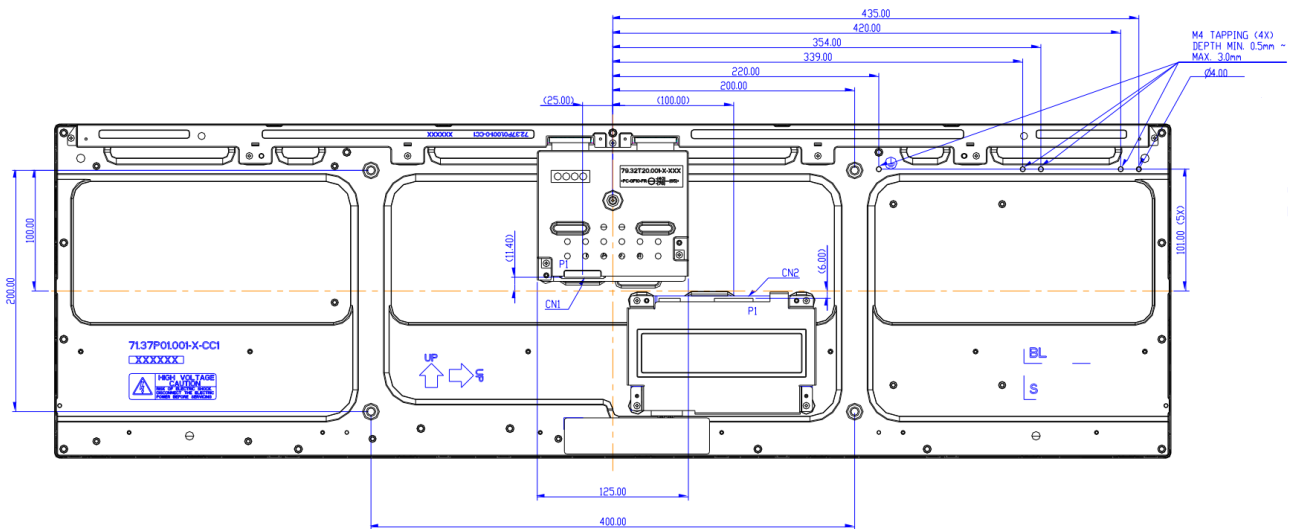
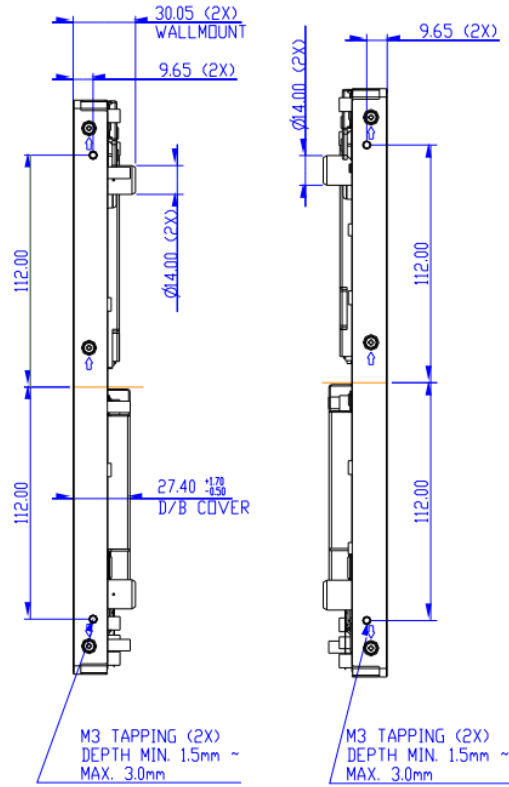


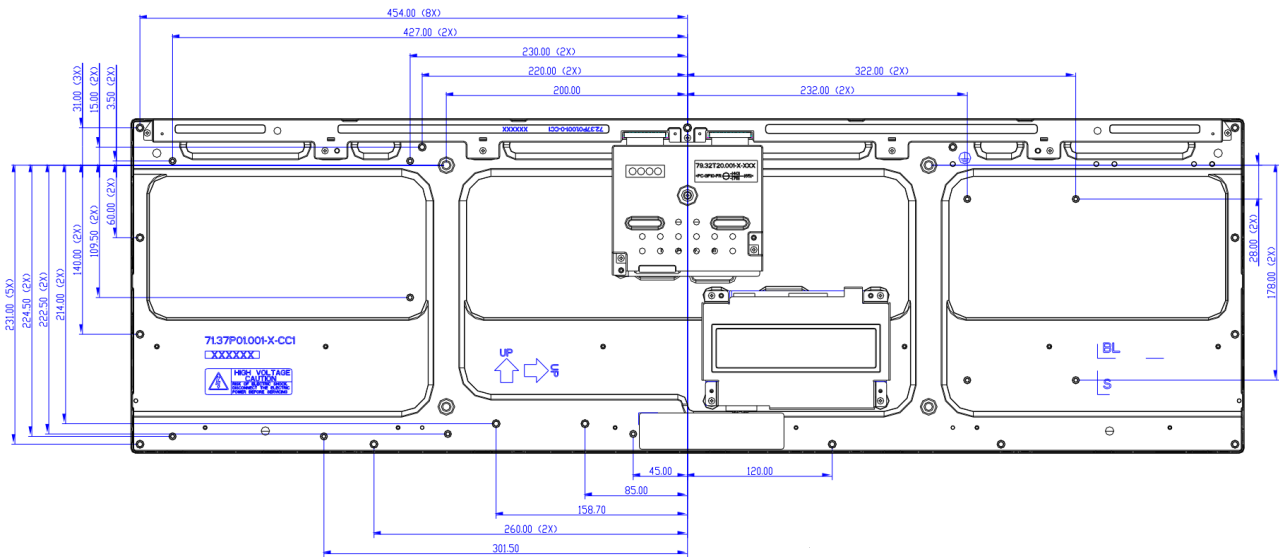
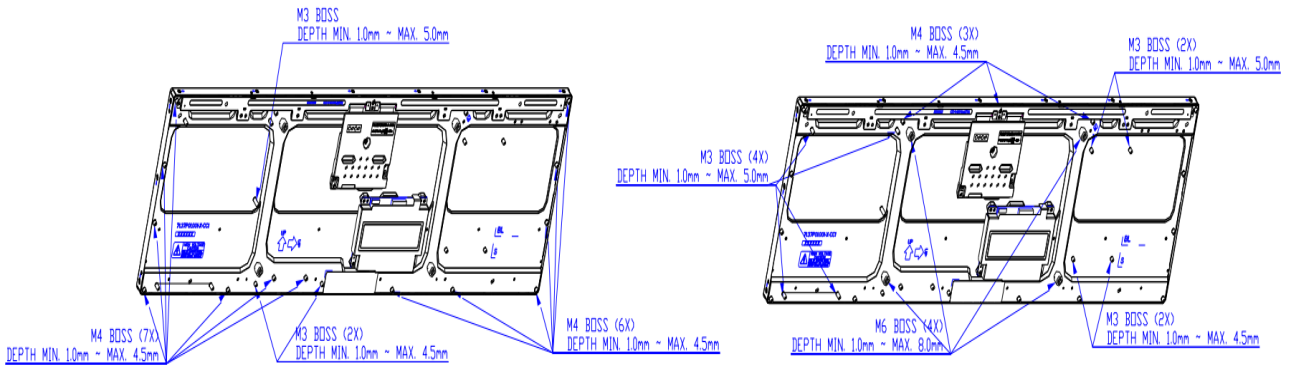
Mechanical Drawing

Outline Dimensions

Unit:mm







NOTE:

- 1.CN1 : JAE FI-RTE51SZ-HF
- 2.CN2 : JST S14B-PHA-SM3-TB(HF)
- 3.UNSPECIFIED TOLERANCE IS ± 0.8 mm.
- 4.TORQUE OF M3 USER HOLE : 7kgf-cm MAX.
- 5.TORQUE OF M4 USER HOLE : 10kgf-cm MAX.
- 6.TORQUE OF M6 USER HOLE : 16kgf-cm MAX.



Ordering Information

Part Number	Description
SSF3700-YNN-A01	37",2500nits,1920X540,HTni,LID on LCM,5in1,V1
SSH3700-YNN-Q01	37",2500nits,1920X540,HTni,LID on LCM,AD8891DHP,DC24V,5in1,V1

Optional Accessories

Part Number	Description
840613111200	ADAPTER,AC/DC,24V/5A,120W,FSP120,POWER DIN,P
810618301010	CABLE,POWER,AC,1830mm USA type
810618301090	CABLE,POWER,AC,1830mm Europe type
810618301050	CABLE,POWER,AC,1830mm UK type
810618301170	CABLE,POWER,AC,1830mm Australia type
810618301031	CABLE,POWER,AC,1830mm Japan type

Customer request

Touch	SCT (Single-Touch), PCT (Multi-Touch)
Glass	Tempered glass, AR coating.....