



SSD5745-INU V3

57.4" Resizing LCD, 1000 nits LED backlight, 3840 x 807 ultra-wide aspect ratio 16:3

The SSD5745-INU is a 57.4 inch color TFT-LCD display with special aspect ratio 16:3 and wide resolution 3840 x 807. It is Litemax's Spanpixel series product which designed for high brightness 1000 nits with power efficiency LED backlight. It provides LCD panel with specific aspect ratios and sunlight readable for digital signage, public transportation, exhibition hall, department store, and vending machine.

Key Features

- Resizing LCD
- Ultra-Wide Screen (16: 3)
- High Brightness 1000 nits
- Sunlight Readable
- LED Backlight
- Slim Bezel
- BL MTBF 100,000 hours



Specifications

Model Name	SSD5745-INU V3
Description	57.4" Resizing LCD, 1000nits LED backlight, 3840x807
Screen Size	57.4"
Display Area (mm)	1428.48(H) x 300.2(V)
Brightness	1000 cd/m ²
Resolution	3840x807
Aspect Ratio	16 : 3
Contrast Ratio	5600 : 1
Pixel Pitch (mm)	0.372(H) x 0.372(V)
Pixel Per Inch (PPI)	68
Viewing Angle	178°(H),178°(V)
Color Saturation (NTSC)	82%
Display Colors	1.07G
Response Time (Typical)	9.5ms
Panel Interface	V by one
AD Board Input Interface	DVI, HDMI, DP
Input Power	AC100~240V
Power Consumption	89.8W
OSD Key	5 Keys (Power Switch, Menu, +, Exit, -)
OSD Control	Brightness, Color, Contrast, Auto Turing, H/V Position...etc
Dimensions (mm)	1465.4 x 336.8 x 65.1
Bezel Size(U/B/L/R)	16/16/16/16 mm
Mounting	300x75, 650x100
Weight (Net)	15 kg
Operating Temperature	0 °C ~ 50 °C
Storage Temperature	-20 °C ~ 60 °C

SSD= Panel+ LED Driving Board + AD Control Board + Housing

Specifications are subject to change without notice.

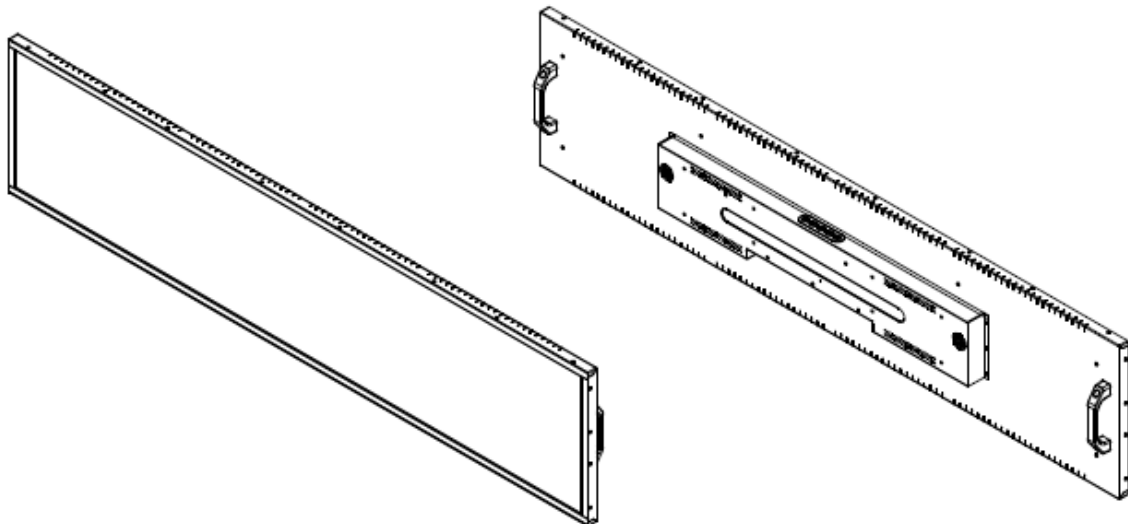
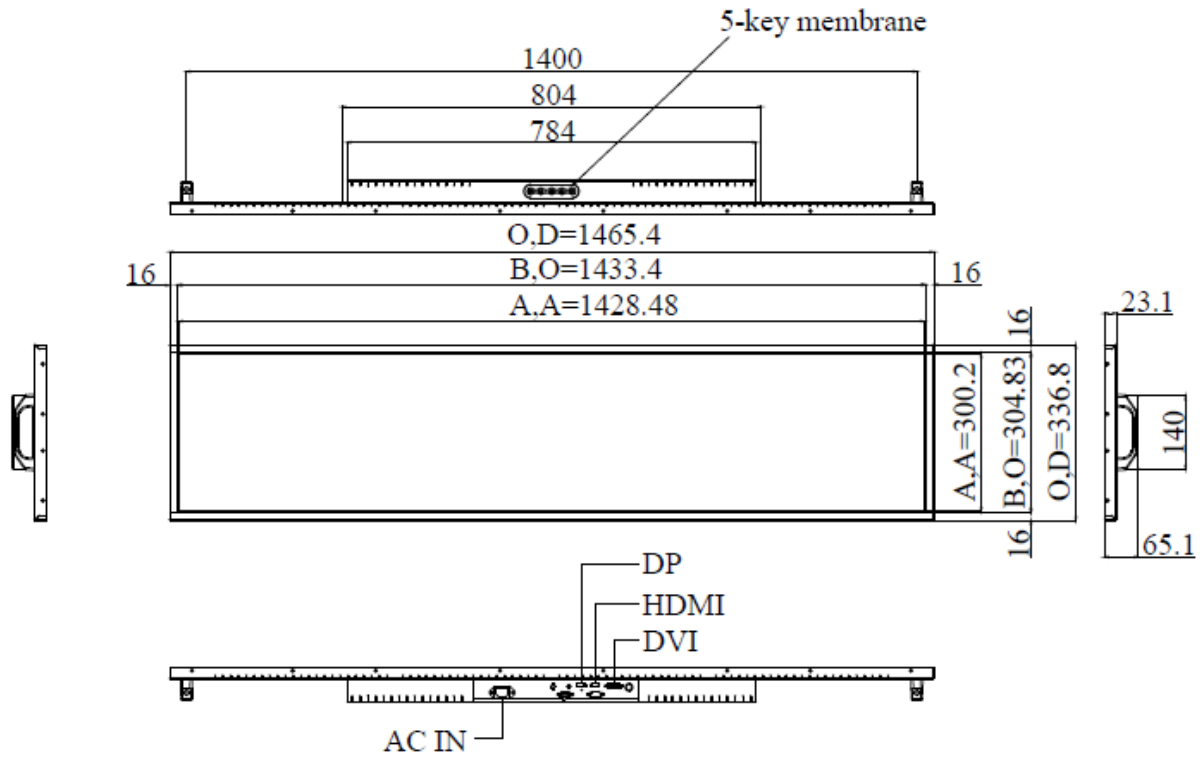
All brands or product names are trademarks or registered trademarks of their respective companies.

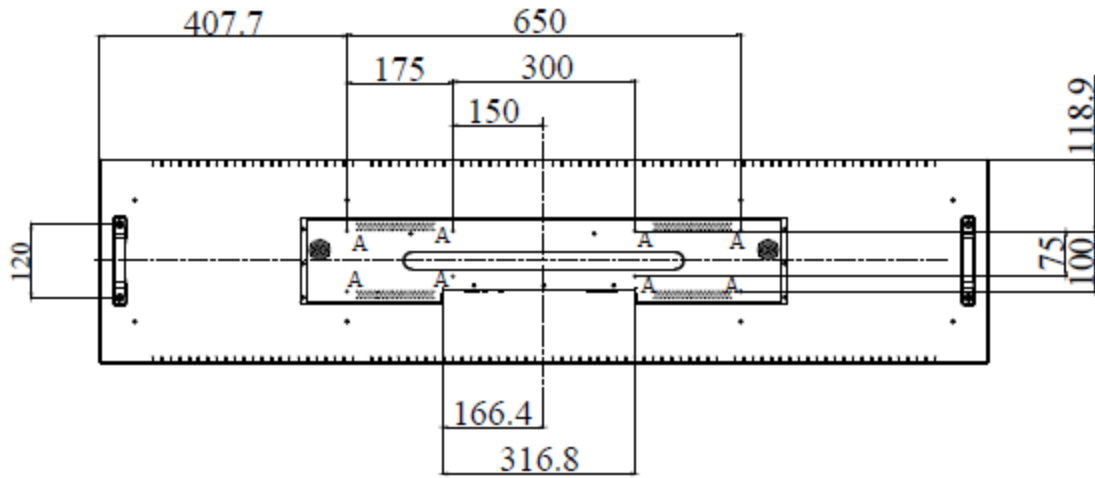


Mechanical Drawing

Outline Dimensions

Unit: mm





NOTE :

O.D. : OUTLINE DIMENSION

B.O. : BEZEL OPENING

A.A. : LCD ACTIVE AREA

A : 8-M6_USER HOLE_MAX Depth=8mm



Ordering Information

Part Number	Description
SSD5745-INU-N21	57.4",1000nits,3840*807.LID57C,T1,AD2796DHP.O/B,AC100~240V,V3

Optional Accessories

Part Number	Description
810618301010	CABLE.POWER.AC.1830mm USA type
810618301090	CABLE,POWER,AC,1830mm Europe type
810618301050	CABLE.POWER.AC.1830mm UK type
810618301170	CABLE.POWER,AC,1830mm Australia type
810618301031	CABLE.POWER.AC.1830mm Japan type

By Customer Request

Glass	Tempered glass, AR coating.....
Touch	PCT